



LED Light - 24W
24W 24V 1000lm
CE RoHS P40

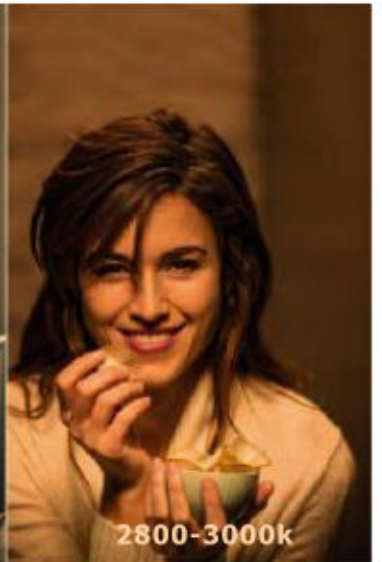
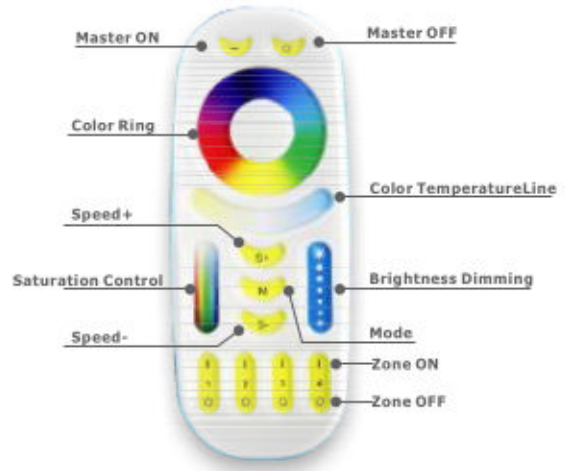


 **Ra > 80** 



Unique Design

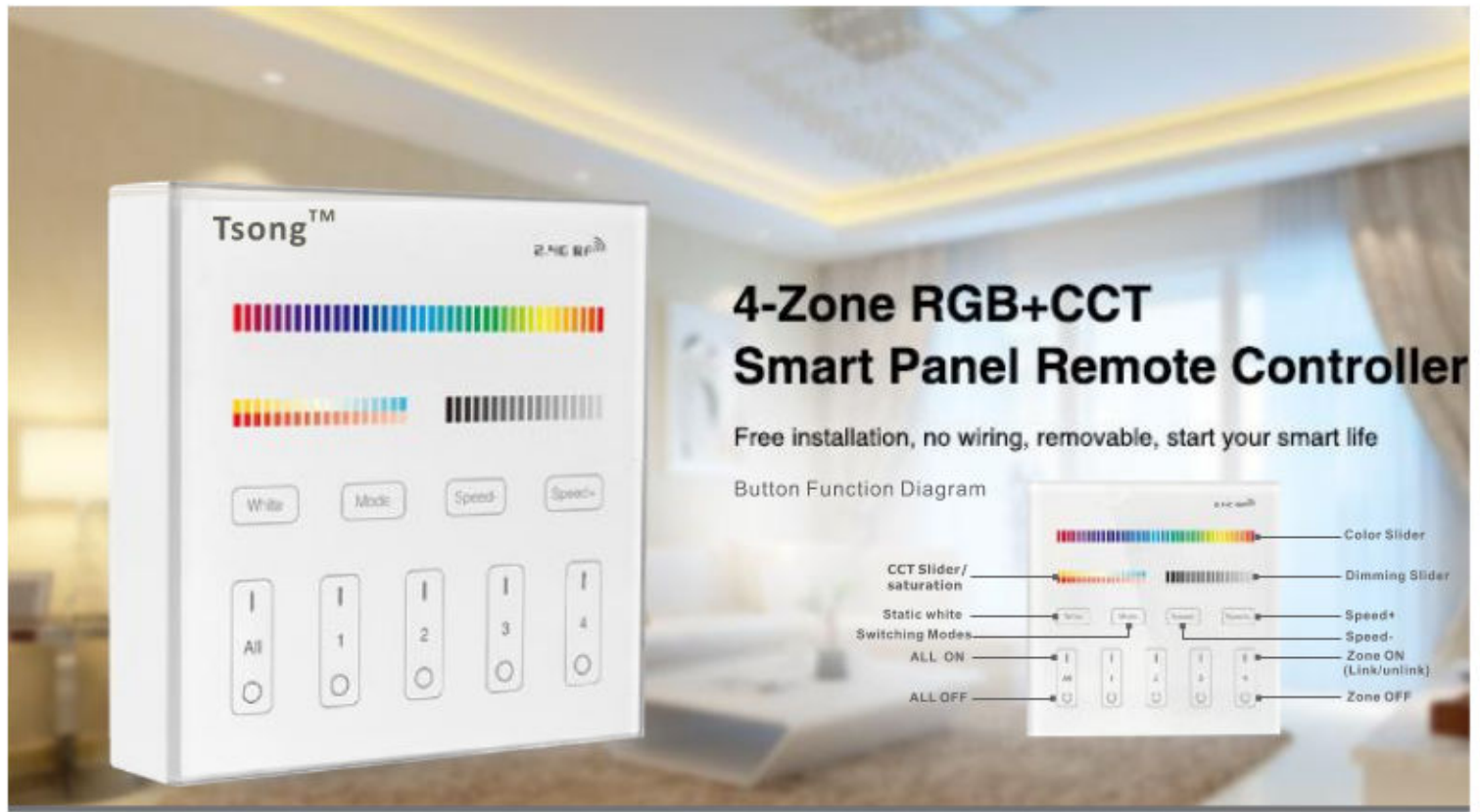
1.4G remote control effective distance $\geq 30M$
 transparent crystal face cover, fashionable and beautiful
 noctilucant frame design
 help you find remote control easily in dark.



iPhone control interface

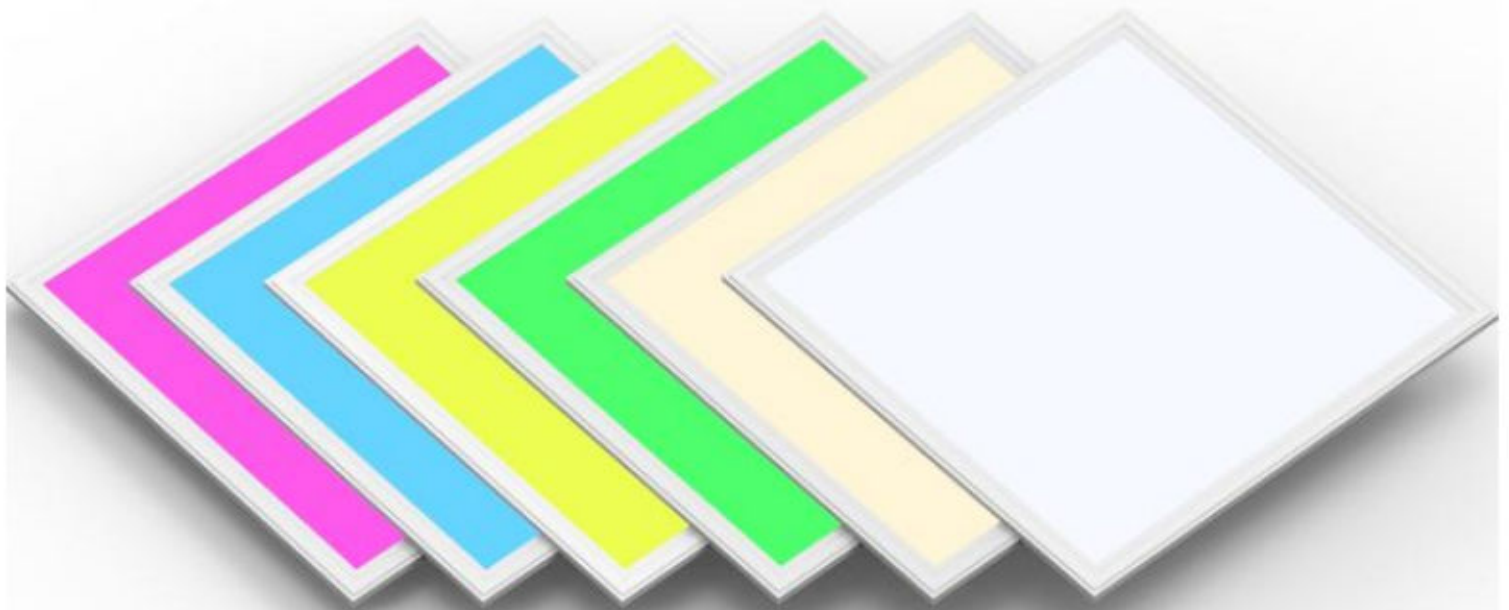
Andrews system or ios system





Unique Design

Transparent crystal face cover, fashionable and beautiful
 Noctilucent frame design
 Help you find remote control easily in dark



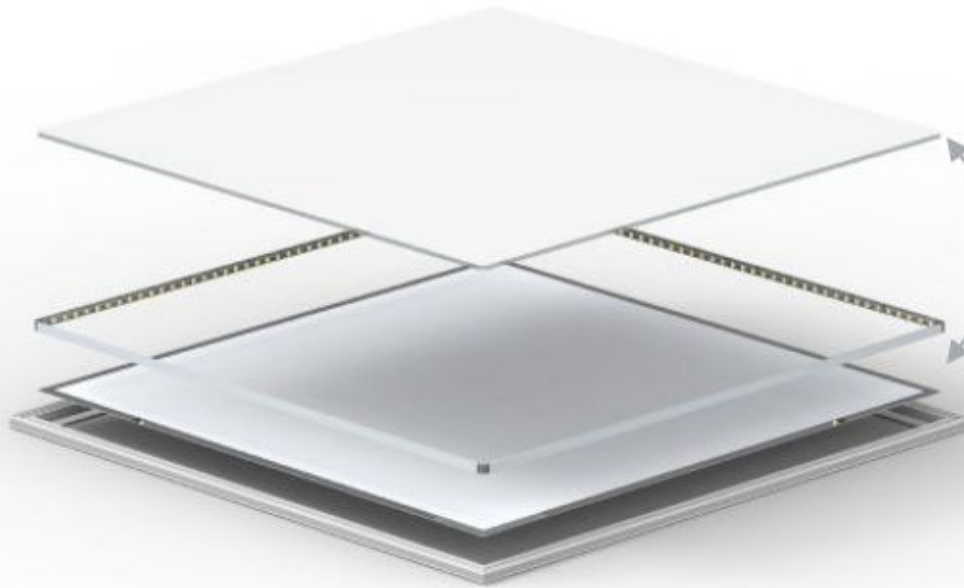
Product parameters

Power(watt)	36W±5%	48W±5%	48W±5%	48W±5%
LED Chip/Original	SMD 5050 RGB /SMD 5050 CCT			
Color Temperature	CCT (2800k-6500k) +RGB			
Lumious Flux(lm)	3000lm±5%	3800lm±5%	3800lm±5%	3900lm±5%
Input Voltage	AC100-240V 50/60HZ			
Beam Angle(°)	120°	120°	120°	120°
IP Rate	IP20	IP20	IP20	IP20
CRI(Ra)	CCT(RA>82)	CCT(RA>82)	CCT(RA>82)	CCT(RA>82)
Material	Aluminum + PMMA + PS			
Dimension	595x595x12mm	620x620x12mm	295x1195x12mm	595x1195x12mm
Net Weight	3.2kg	3.5kg	3.8kg	6.5kg

Installation instructions

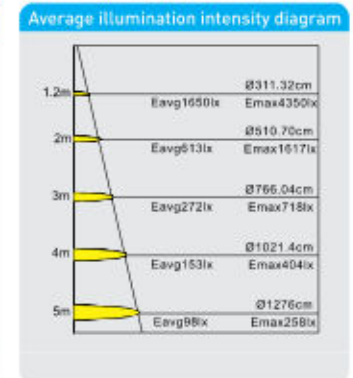
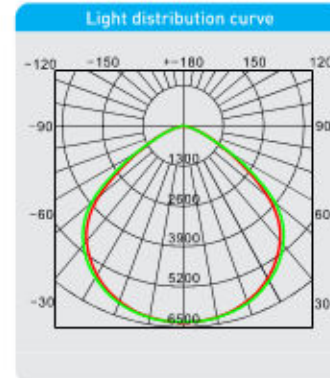
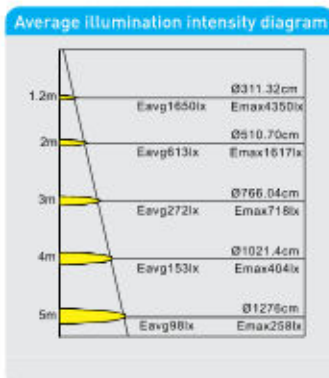
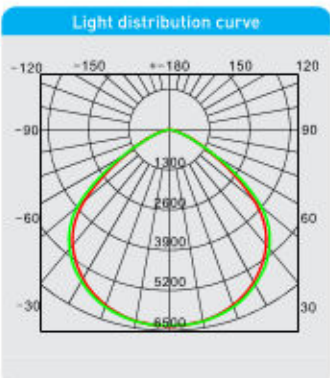
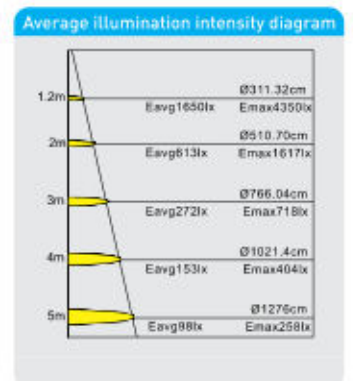
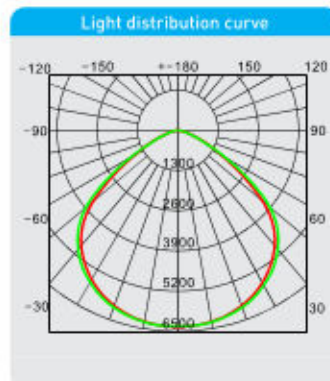
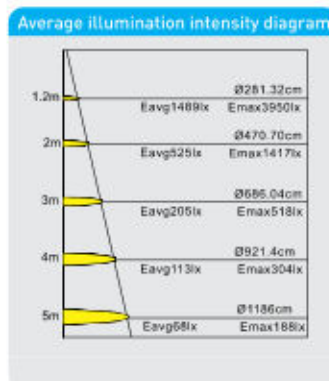
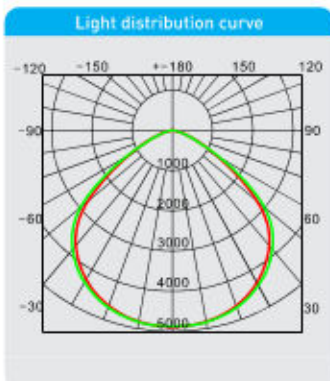
Operating temperature	-20°C ~ +40°C
Storage temperature	-20°C ~ +60°C
Warranty	3 Years
Average Lifetime(hrs)	30000Hrs
Certificate	CE RoHS
Control method	2.4G handle remote control/2.4G wall remote control/APP LONG Distance Control
Installation	Hanging installation/Ceiling installation/Ceiling surface mounted
Installation	Hanging installation/Ceiling installation/Ceiling surface mounted

Chameleon Series LED Panel Light

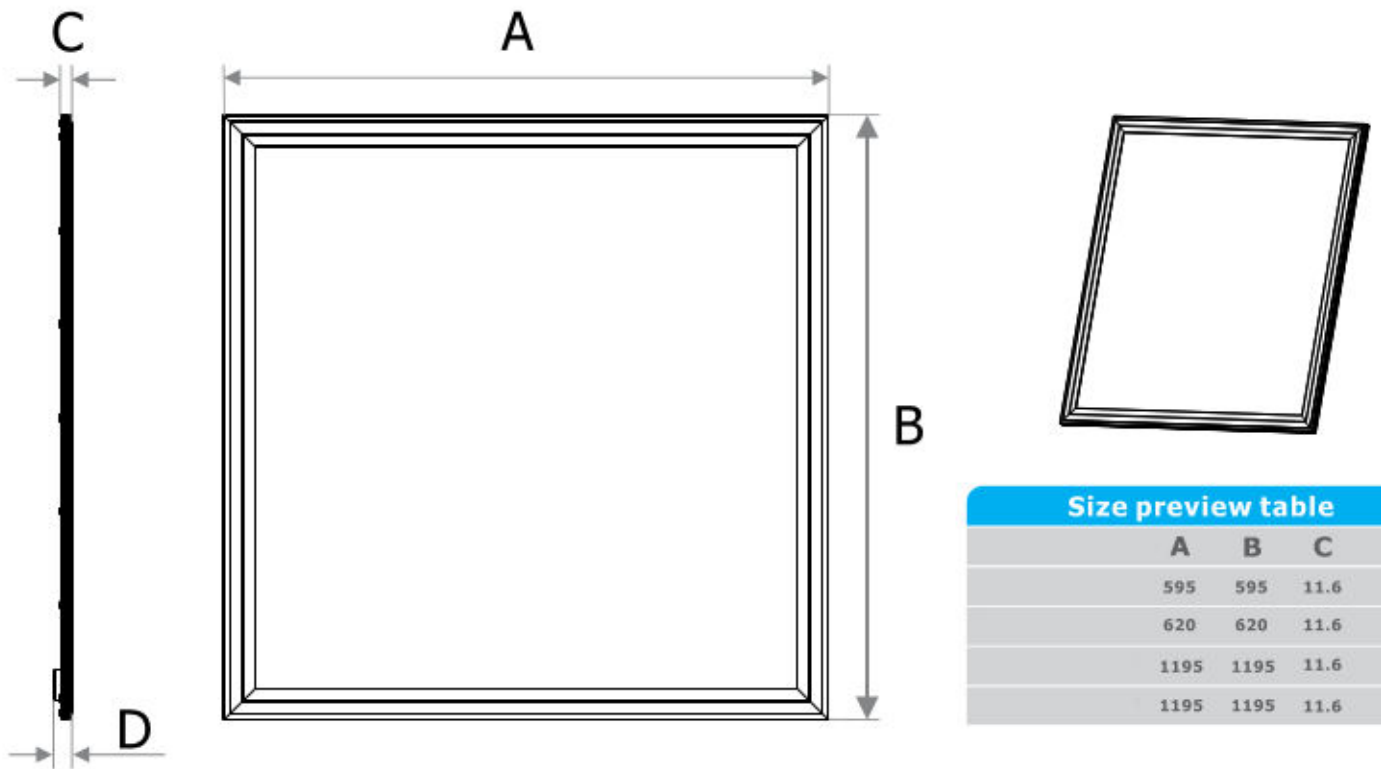


Four into the light
Uniformity > 90

Optical parameters



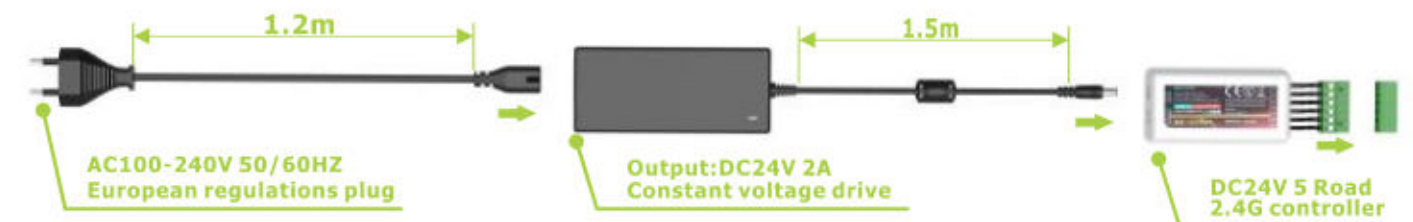
Chameleon Series LED Panel Light



Size preview table

A	B	C	D
595	595	11.6	19
620	620	11.6	19
1195	1195	11.6	19
1195	1195	11.6	19

Chameleon Series LED Panel Light



Remote control use

- 1: According to the above diagram to access the electricity and test light.
- 2: For remote control of the code in the access to electricity of the moment three seconds.

Connect the remote control:

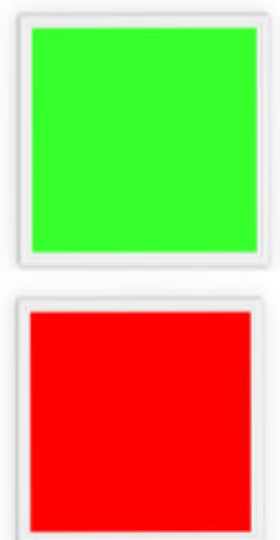
make the lamp access to electricity, press the code key for 3-5 times, When the lamp began to flash green light, the fixture is set successfully

Disconnect the remote control:

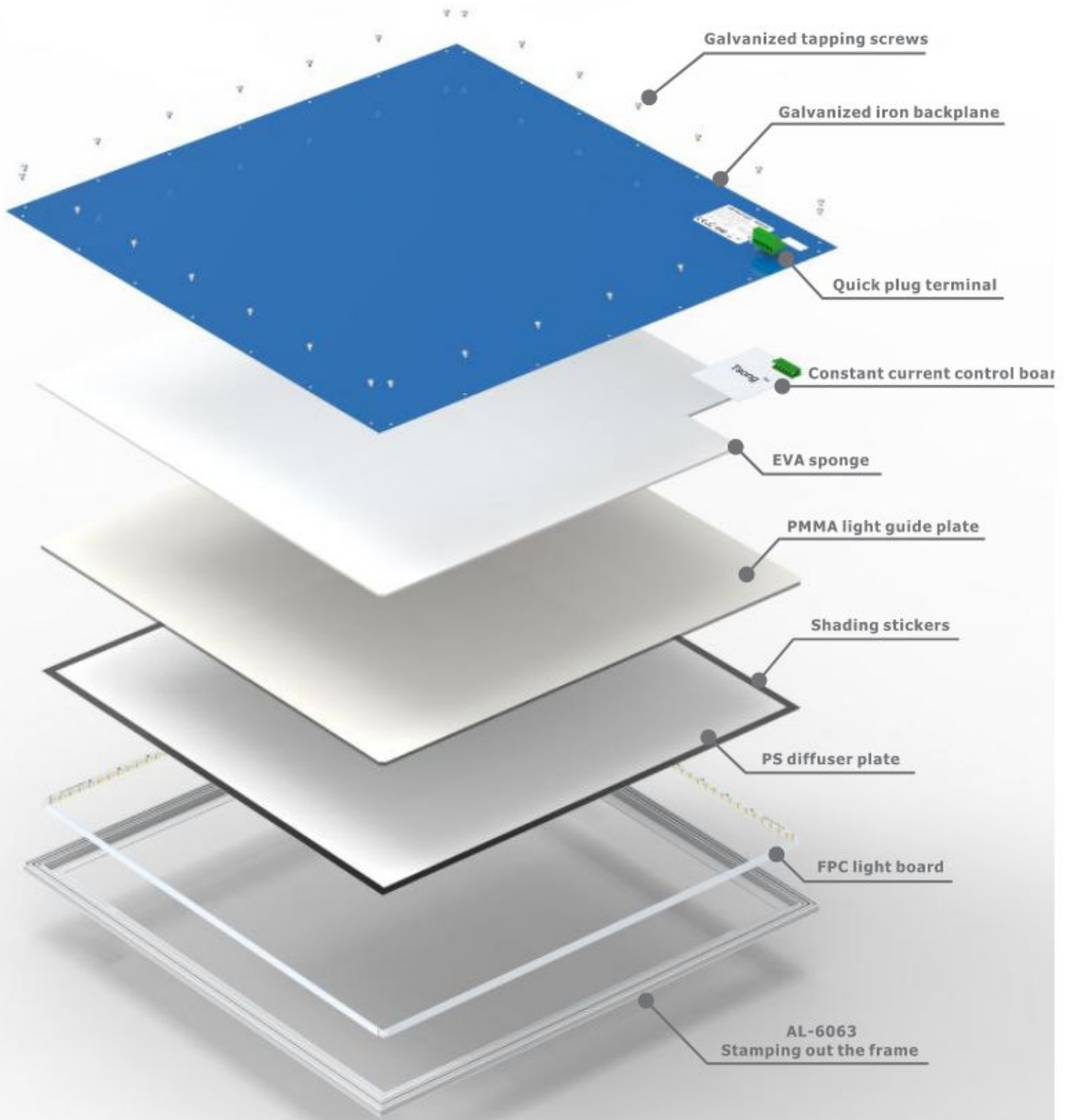
the lights connected to electricity, press the code key to press 5-6 times, the lights began to flash red light, the fixture set cleared

Remote control code

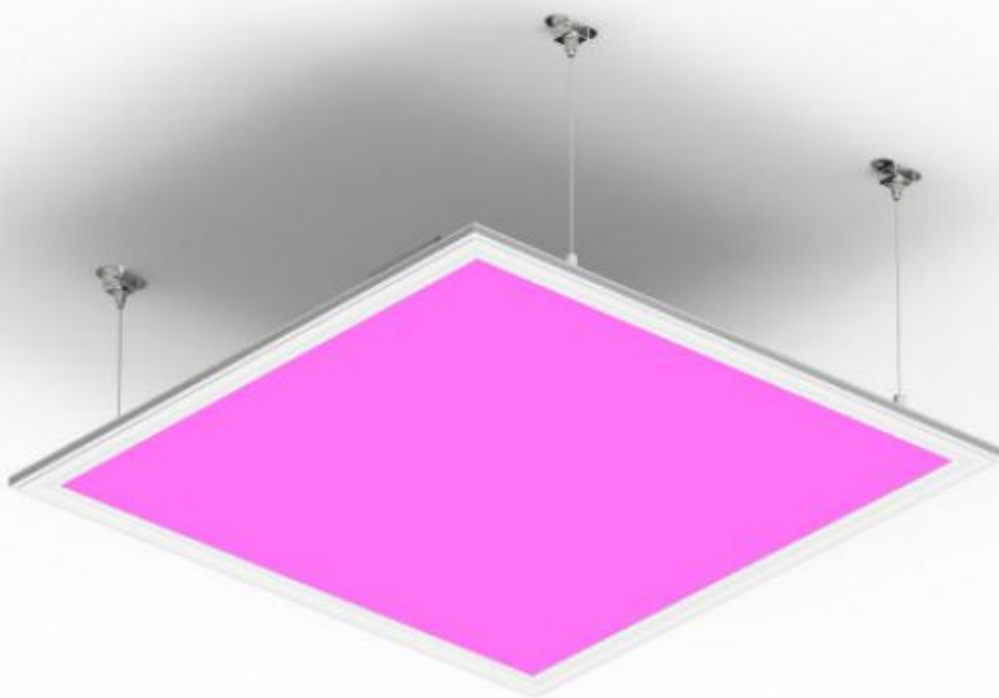
Adjust the remote control as needed



Product Exploded view



Suspension installation



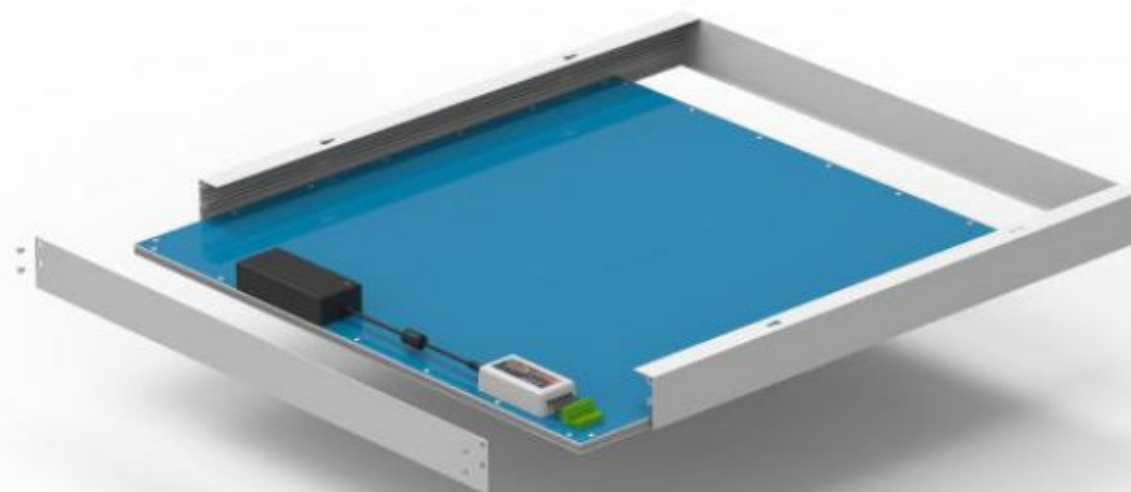
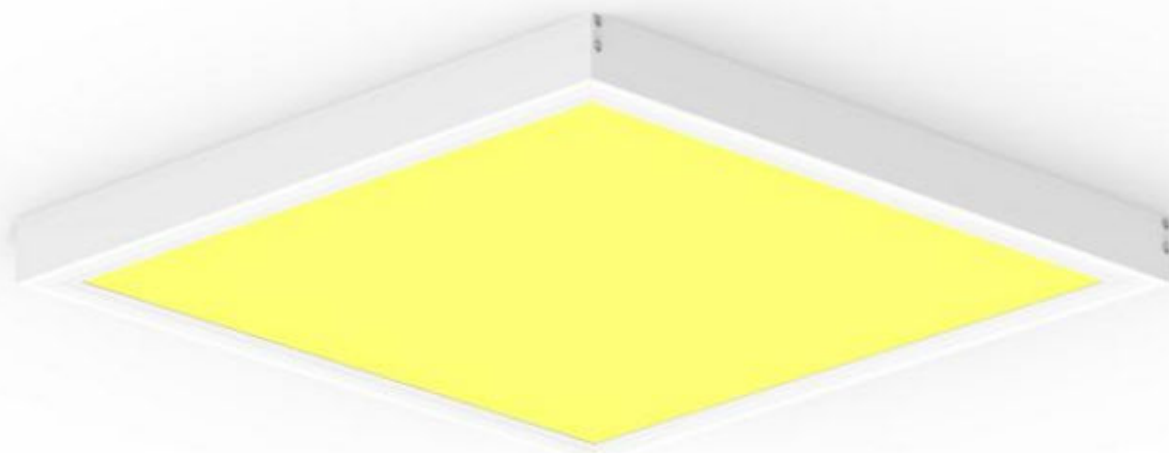
Remarks:

1: Please refer to the installation of the required size .

2: This accessory is sold separately to make a purchase, if you need, please inform our sales staff. 1 set for 4PCS.

Chameleon Series LED Panel Light

Mounting



Accessories size
598x598xH50mm
623x623xH50mm
298x1198x50mm
598x1198x50mm

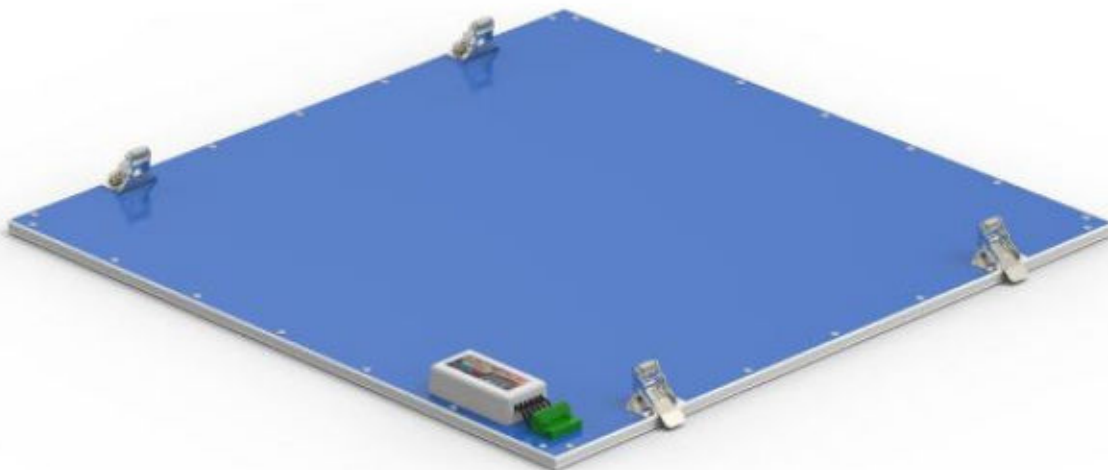
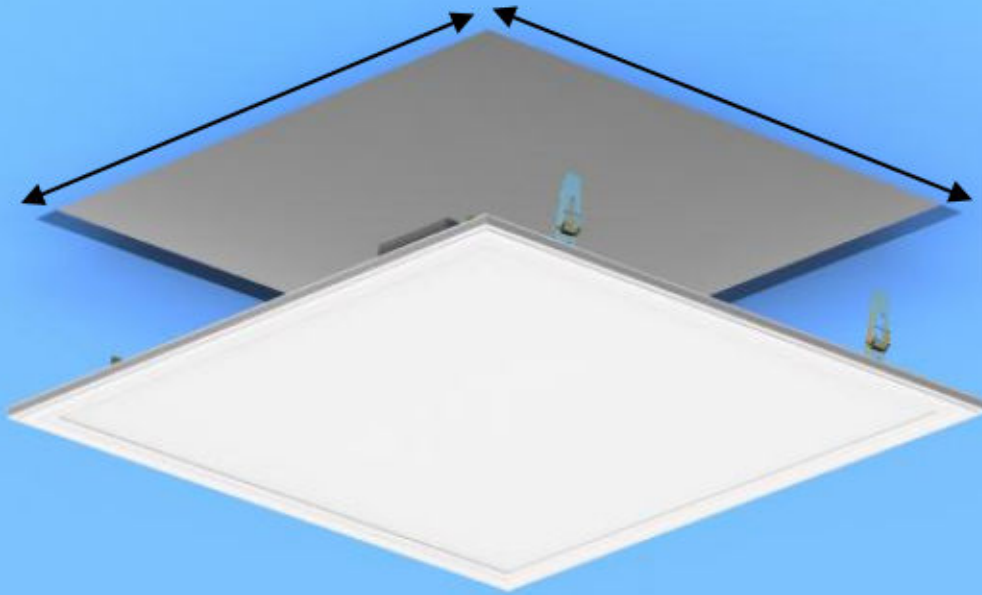
Remarks:

1: Please refer to the installation of the required size .

2: This accessory is sold separately to make a purchase, if you need, please inform our sales staff. 1 set for 4PCS.

Chameleon Series LED Panel Light

In-built

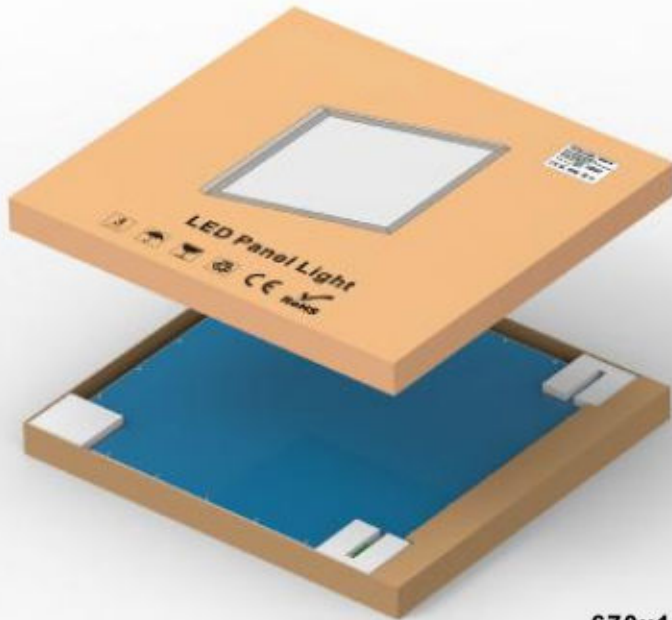


Remarks:

1: Please refer to the installation of the required size .

2: This accessory is sold separately to make a purchase, if you need, please inform our sales staff. 1 set for 4PCS.

Product packaging



670x180x725MM



Package dimensions

PCS/CTN	N.W./PCS (kg)	G.W./PCS (kg)	Carton size
6 pcs	3.1kg	22.4kg	670x180x725MM
6 pcs	3.3kg	23.8kg	695x180x745MM
6 pcs	3.3kg	23.8kg	1270x180x420MM
4 pcs	6.5kg	28.5kg	1315x130x670MM

Inner packing list

Panel lamps	2 pcs
power supply	2 pcs
Controller	2 pcs

Remarks:

①: Remote control as a separate package, please come to order according to the actual needs of the remote control.