



Better Lighting Solution For Area

Thanks to a robust aluminum housing with safety tempered glass cover, high quality led and driver, our LUMA Floodlight delivers high lumen efficacy up to 170 lm/w and long lifetime. Asymmetric optical distribution improves light effect.

This product is an ideal solution for most outdoor applications such as wall mounted around building facades, gardens, paths near to buildings, garages, entrance ways and drives.

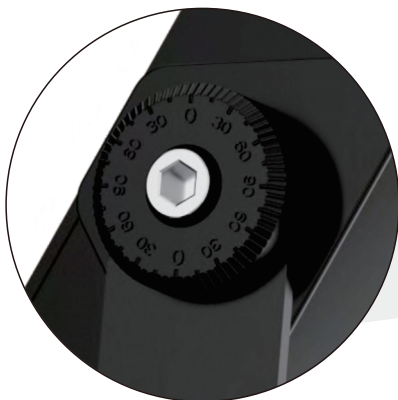
LUMA FLOOD SERIES

NEW DESIGN

With visor, low spill light

With metal mesh, IK10

Asymmetric optics



The bracket with a dial can provide better support and more precise angle adjustment for the lighting fixture



170LM/W



Visor

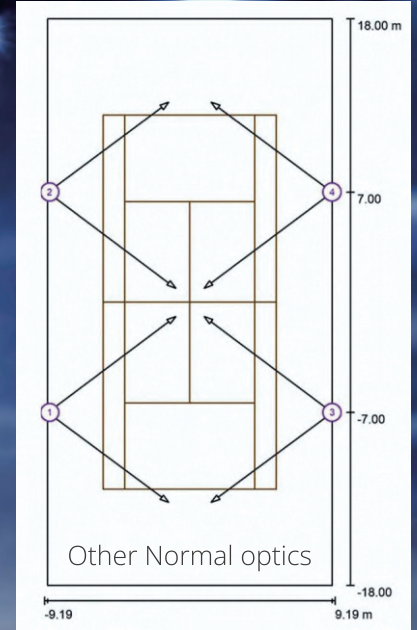
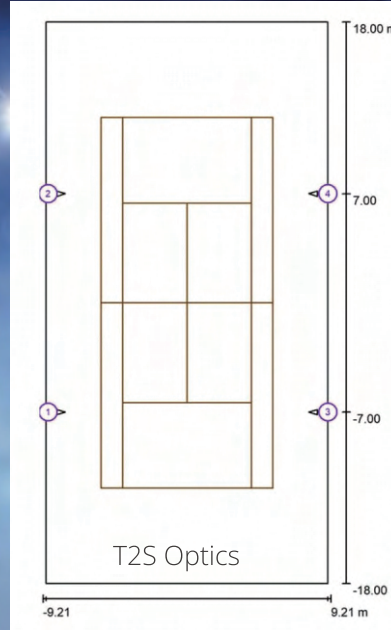
Asymmetric polarized optics and visor work together to minimize glare, back light, and spill light.

IP66



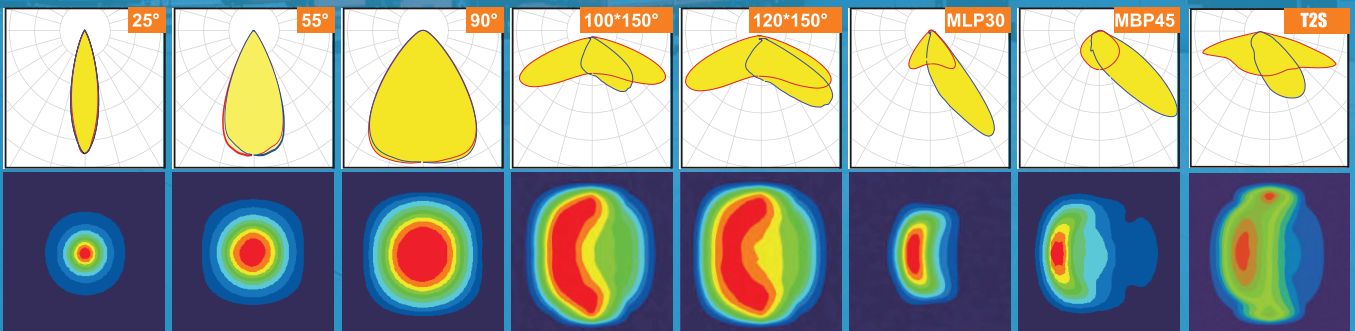
IK10

The special optic T2S is a polarized wing shape, which is more suitable for tennis court applications. When installed with a vertical defense line parallel to the ground, there is no need to adjust the angle horizontally or vertically.



Optics

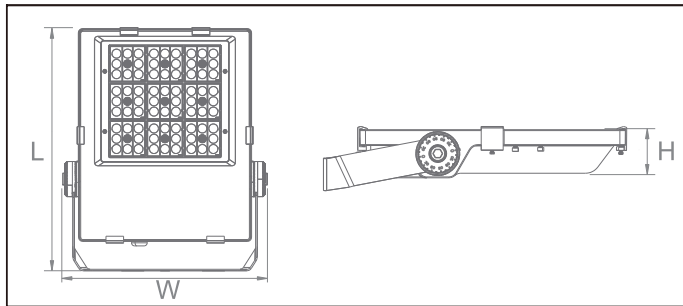
Special designed optics are used for different height and space. They will not only improve the lux and uniformity, but also minimize glare light.





Features

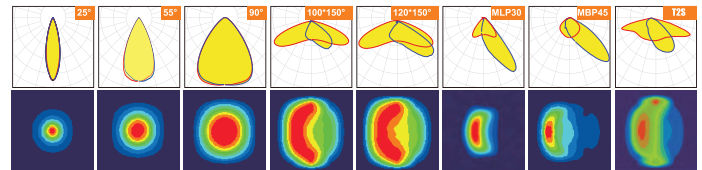
- Housing: Die Cast Aluminum
- Thermal Conductivity: 96 W/m·K
- Led: Philips
- CRI: Ra>70
- SDCM: <5
- Power Factor: >0.95
- THD: <15
- Driver: Sosen
- Driver Efficiency: >93%
- Protection: OTP, OCP, OVP, SCP
- Surge Protection: 6KV
- Waterproof: IP66
- Impact Test: IK08&IK10
- Electrical: 100-277V, 50/60Hz
- Operating Temperature: -40~50°C
- TM21: L90B10>50,000H
- Lifetime: 50,000H



Functions

ZigBee · DMX · DALI · 0/1~10V

Optical options:



Model	Watt	Voltage	Lumen	CRI	IP	Dimension
LP-LUMAFLOOD-200	80W	100~277V	13600LM	>70	IP66	403*333*57
LP-LUMAFLOOD-200	120W	100~277V	20400LM	>70	IP66	403*333*57
LP-LUMAFLOOD-200	160W	100~277V	27200LM	>70	IP66	403*333*57
LP-LUMAFLOOD-200	200W	100~277V	34000LM	>70	IP66	403*333*57
LP-LUMAFLOOD-400	160W	100~277V	27200LM	>70	IP66	490*418*74
LP-LUMAFLOOD-400	240W	100~277V	40800LM	>70	IP66	490*418*74
LP-LUMAFLOOD-400	320W	100~277V	54400LM	>70	IP66	490*418*74
LP-LUMAFLOOD-400	400W	100~277V	68000LM	>70	IP66	490*418*74

Packing

Luminaire

Model	Outer Carton(mm)			QTY / Outer CTN	Luminaire	
	L	W	H		NW(kg)	GW(kg)
LP-LUMAFLOOD-200	485	385	140	1	5.20	5.80
LP-LUMAFLOOD-400	586	473	165	1	8.50	9.70