

SHOPLIGHT PRO

RECESSED ADJUSTABLE DOWNLIGHTS

The Shoplight Pro range of adjustable downlights now offers improved efficiency and the benefit of superior Ra90+ colour rendition, ideal for retail application. Designed for distinctive feature lighting, particularly wall displays or architectural features.



Features

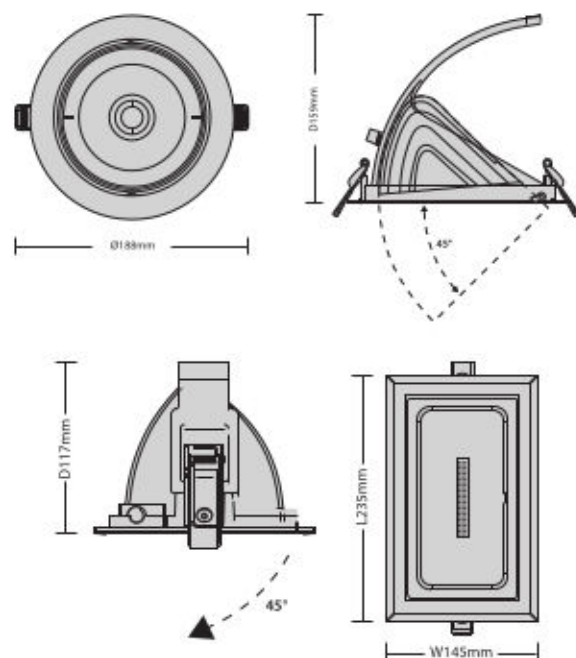
- Now with superior Ra90+ colour rendering
- High quality die-cast construction
- Ideal for feature lighting and wall washing, particularly in retail applications
- Wide adjustment range to assist creative designs
- Improved efficacy up to 98lm/w



Specification

Material:	Die-Cast Aluminium
Colour Temperature:	4000K
Colour Finish	White
CRI	Ra>90
LED Lifetime:	L80B50 > 50,000 Hrs
IP Rating:	IP20
Working Temperature:	-20°C to 40°C
Beam Angle	Circular: 60° Rectangular: 100°
Adjustability	Circular: 45° tilt, 350° rotation Rectangular: 45° tilt
Power Factor	>0.95
Electrical Class	Class II
Guarantee:	5 Years

Dimensions



Description	Wattage	Lumen Output	Colour Temperature	Efficacy	Weight (Kg)
Shoplight Pro Rectangular	35W	3000 lm	4000K	90 lm/W	1.57
Shoplight Pro Circular	33W	3250 lm	4000K	98 lm/W	1.13

