

# E-Pro Product Datasheet

## Track Mounted Lights

### Product Data

Warranty	5 years
Applications	Interior
Certification(s)	UKCA, CE, RoHS

### Physical Data

Colour Finish	Matte White (RAL9016) Matte Black (RAL9005)
Luminaire Fixing	Track Mounted
Construction Material	Aluminium
Diffuser Type	TP(a) rated (Round Aperture)

### Electrical Data

Voltage Range	AC220-240V
Power Factor	>0.90
Inrush Current	<10A
Protection Class IEC	Class I

### Performance Data

Efficacy	~105 Lm/W
Kelvin	3000K   4000K
Operating Temperature	-20°C to +45°C
Beam Angle	50°
Operating Hours	>50000
CRI	90 Ra
IP Rating	IP40
IK Rating	IK07
Macadam Ellipse	≤3 sdcM
L70 B50	100,000 hours
L80 B50	90,000 hours
L90 B50	42,000 hours
LEDs	CREE 5050

2x2 or 3x3 cell available



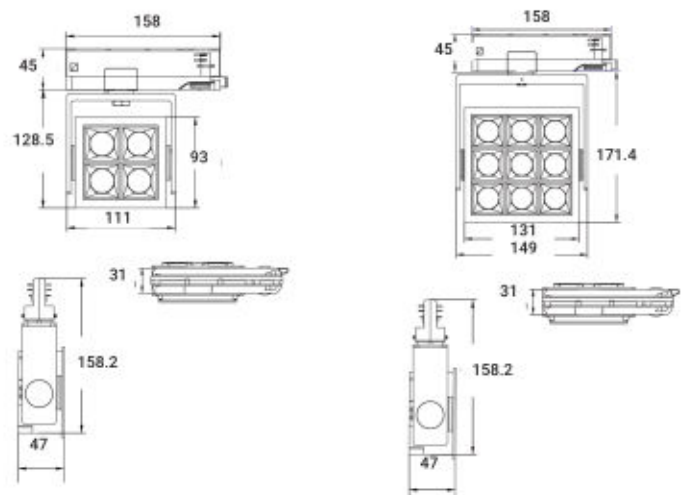
Matte White



Matte Black

Type	Wattage	Lumens (At 4000K)	Unit Weight (kg)	Running Current
2x2 cells	8W	840	0.9	200mA
	16W	1680		400mA
3x3 cells	18W	1890	1.4	400mA
	36W	3755		800mA

### Dimensions (mm)



# E-Pro Track Mounted Family

Light Distribution:

