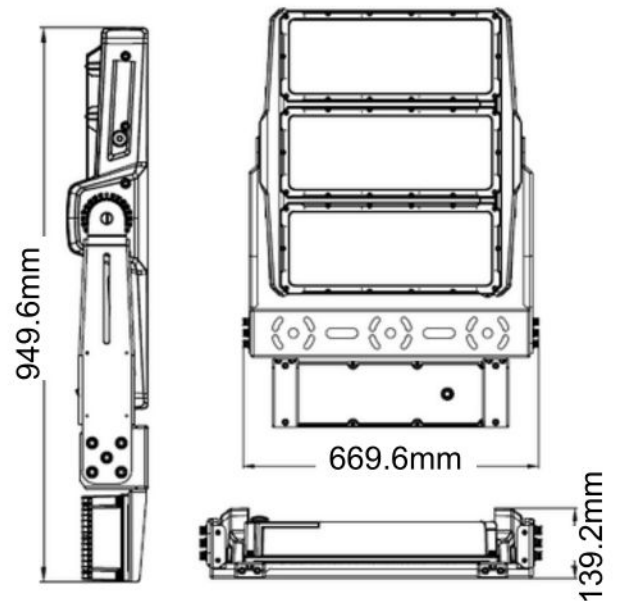


## Sports Lighting

### Carsington Plus Sports Floodlight 1650W 5000K Black IP66 25x130D



#### General Data

<b>Technology</b>	LED
<b>Mounting options</b>	Pole   Wall
<b>Install Options</b>	Mounted on Bracket
<b>Electrical Connector Type</b>	Flying Lead
<b>Input Cable</b>	1.5m H07RN-F 3-Core
<b>Input Electrical Connection</b>	Yes
<b>General Application</b>	Sports Lighting   Industrial
<b>Operating Temperature Range °C</b>	-30 - +50
<b>Warranty (Years)</b>	5

**Optical Data**

<i>LED Manufacturer / Type</i>	SMD 5050
<i>Fixture Luminous Flux (Lm)</i>	222,750
<i>Luminaire Efficacy @5000K (lm/W)</i>	140
<i>LOR %</i>	100
<i>Colour Selectable</i>	No
<i>Beam Angle°</i>	25x130
<i>Optics</i>	Asymmetric Optic
<i>Photobiological Risk Group</i>	RG1

**Light Source Data**

<i>SDCM</i>	5
<i>Colour Temperature (K)</i>	5000
<i>Light Colour</i>	Natural Light
<i>CRI Ra</i>	>70

## **Electrical Data**

<i>Wattage (W)</i>	1650
<i>Mains voltage (V)</i>	220 - 415V AC
<i>Lamp power factor</i>	>0.95
<i>Electrical protection</i>	Class I
<i>Driver Output (V)</i>	260 - 500
<i>Driver Output Current (mA)</i>	1500
<i>Control Gear Type CC or CV</i>	Constant Current
<i>Dimmable</i>	Yes
<i>Dimmable Type</i>	DALI2
<i>Driver Brand</i>	Moso
<i>Nominal Frequency (Hz)</i>	50   60

## **Lifetime Data**

<i>Lifespan L70 B50 @25°C (Hrs)</i>	>100000
-------------------------------------	---------

## **Standards and Approvals**

<i>Manufactured In Accordance To</i>	EN 60598-1   60598-2-5
<i>CE Mark</i>	Yes
<i>UKCA Mark</i>	Yes
<i>WEEE Symbol</i>	Yes
<i>Certificate of Conformity</i>	Available on Request
<i>Accredited Members</i>	LIA, ISO9001

## Physical Data

<b>Housing Colour</b>	Black RAL 9005
<b>Body Material</b>	Aluminium with AkzoNobel anti-corrosive powder coating
<b>Driver Housing</b>	Aluminium Alloy
<b>IP Rating</b>	66
<b>IK Rating</b>	9
<b>Diffuser Material</b>	Polycarbonate
<b>Diffuser Finish</b>	Asymmetric Lens
<b>Nominal Product Length (mm)</b>	950
<b>Nominal Product Width (mm)</b>	670
<b>Nominal Product Height (mm)</b>	139
<b>Total Product Weight (kg)</b>	41
<b>Driver Unit Weight (kg)</b>	6.5
<b>Fitting Weight w/out Driver (kg)</b>	34

