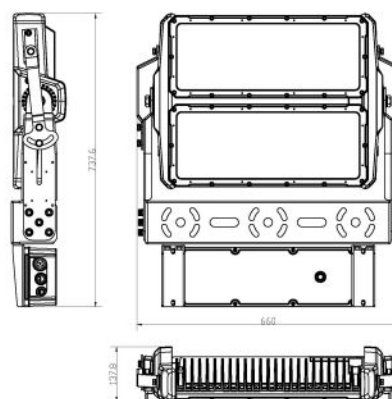


Sports Lighting

Carsington Plus Sports Floodlight 960W 5000K Black IP66 25x130D



General Data

| | |
|---------------------------------------|------------------------------|
| Technology | LED |
| Mounting options | Pole Wall |
| Install Options | Mounted on Bracket |
| Electrical Connector Type | Flying Lead |
| Input Cable | 1.5m H07RN-F 3-Core |
| Input Electrical Connection | Yes |
| General Application | Sports Lighting Industrial |
| Operating Temperature Range °C | -30 - +50 |
| Warranty (Years) | 5 |

Optical Data

| | |
|---|------------------|
| LED Manufacturer / Type | SMD 5050 |
| Fixture Luminous Flux (Lm) | 134400 |
| Luminaire Efficacy @5000K (lm/W) | 140 |
| LOR % | 100 |
| Colour Selectable | No |
| Beam Angle° | 25x130 |
| Optics | Asymmetric Optic |
| Photobiological Risk Group | RG1 |

Light Source Data

| | |
|-------------------------------|---------------|
| SDCM | 5 |
| Colour Temperature (K) | 5000 |
| Light Colour | Natural Light |
| CRI Ra | >70 |

Electrical Data

| | |
|-----------------------------------|------------------------|
| Wattage (W) | 960 |
| Mains voltage (V) | Control gear dependant |
| Lamp power factor | >0.95 |
| Electrical protection | Class I |
| Driver Output (V) | 260 - 500 |
| Driver Output Current (mA) | 1500 |
| Control Gear Type CC or CV | Constant Current |
| Dimmable | Yes |
| Dimmable Type | DALI2 |
| Driver Brand | Moso |
| Nominal Frequency (Hz) | 50 60 |

Lifetime Data

| | |
|-------------------------------------|---------|
| Lifespan L70 B50 @25°C (Hrs) | >100000 |
|-------------------------------------|---------|

Physical Data

| | |
|------------------------------------|--|
| Housing Colour | Black RAL 9005 |
| Body Material | Aluminium with AkzoNobel anti-corrosive powder coating |
| Driver Housing | Aluminium Alloy |
| IP Rating | 66 |
| IK Rating | 9 |
| Diffuser Material | Polycarbonate |
| Diffuser Finish | Asymmetric Lens |
| Nominal Product Length (mm) | 737 |
| Nominal Product Width (mm) | 660 |
| Nominal Product Height (mm) | 137 |
| Weight (kg) | 29 |

Standards and Approvals

| | |
|--------------------------------------|------------------------|
| Manufactured In Accordance To | EN 60598-1 60598-2-5 |
| CE Mark | Yes |
| UKCA Mark | Yes |
| WEEE Symbol | Yes |
| Certificate of Conformity | Available on Request |
| Accredited Members | LIA, ISO9001 |