



QFlood

Commercial
Tri-Colour & Power Selectable
Flood Light (with on/off photocell)



20-30-50W | 60-80-100W | 100-150-200W | 200-240-300W

Technical

• Input Voltage	AC 120-200V
• CRI	>80
• Beam Spread	80° 150°
• Power Factor	>0.95
• Operating Temp.	-30 to +45°C
• Materials	Aluminium & Glass
• IP Rating	IP66
• Lifetime	60,000 hours, L70-B10 (Ta 45 °C)
• Emergency Output	N/A



No Photocell

400W | 500W

QFlood3 Features

- IP66 Ingress Protection
- IK08 Impact Resistance
- Wattage Switchable
- 1.5m Cable Flex
- Integral Photocell Sensor (On/Off)

QFlood3 - With Integral Photocell Sensor

	Power	Efficacy	Output	Kelvin
	50W	140Lm/cW	7000Lm	Tri-Colour: 2700K, 4000K & 6000K
	120W	140Lm/cW	16800Lm	
	200W	140Lm/cW	28000Lm	
	300W	140Lm/cW	42000Lm	

QFlood2 - No Photocell Sensor

	Power	Efficacy	Output	Kelvin
	400W	150Lm/cW	60000Lm	5700K
	500W	150Lm/cW	75000Lm	

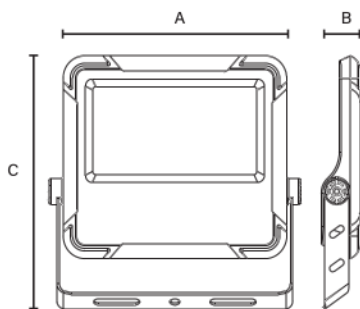
Net Weight	Wattage	Dimensions (A x B x C)
1.0Kg	20/30/50W	242mm x 198mm x 38mm
2.15Kg	60/80/100W	299mm x 208mm x 42mm
3.30Kg	100/150W/200W	349mm x 314mm x 44mm
4.65Kg	200/240W/300W	420mm x 379mm x 44mm
9.6Kg	400W	589mm x 550mm x 56mm
9.75Kg	500W	589mm x 550mm x 56mm

Options	Option Code
DALI 2.0 Dimmable	+/D

Dimensions - Please See Diagram Below



Dimensions



Photometric Data

