



**MELLOWBEAM
PRO**

Flat High Bay

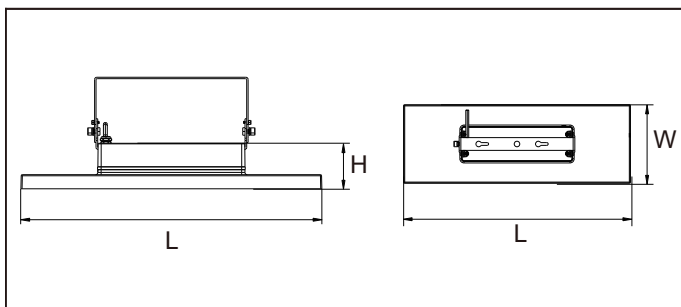
UGR < 19

Best choice for sport area



Features

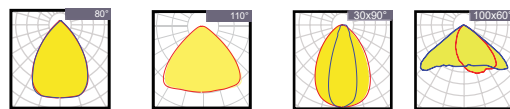
- Housing: Die-cast
- Thermal Conductivity: 96 W/m·K
- Led: Philips
- CRI: Ra>80 (90 for option)
- SDCM: <6
- Power Factor: >0.95
- THD: <15
- Driver: Sosen
- Driver Efficiency: >93%
- Protection: OTP, OCP, OVP, SCP
- Surge Protection: 4KV~6KV
- Waterproof: IP65
- Impact Test: IK10
- Electrical: 100~277V, 50/60Hz
- Operating Temperature: -40~60 °C
- TM21: L80B10>50,000H
- Lifetime: 50,000H



Functions

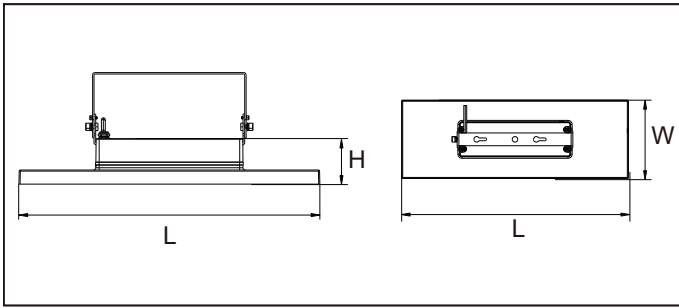
ZigBee · PWM · 0/1~10V · Micro-wave

Optical options:



Model	Watt	Voltage	Lumen	CRI	IP	Dimension
LP-MELLOWBEAM-60	60W	100~277V	9600LM	>80	IP65	357*184*81
LP-MELLOWBEAM-100	100W	100~277V	16000LM	>80	IP65	357*184*81
LP-MELLOWBEAM-120	120W	100~277V	19200LM	>80	IP65	357*184*81
LP-MELLOWBEAM-150	150W	100~277V	24000LM	>80	IP65	357*184*81
LP-MELLOWBEAM-200	200W	100~277V	32000LM	>80	IP65	533*184*81

Packing



Model	Outer Carton(mm)			QTY / CTN	NW/CTN	GW/CTN
LP-MELLOWBEAM-60	421	249	171	1	2.59	3.16
LP-MELLOWBEAM-100	421	249	171	1	2.59	3.16
LP-MELLOWBEAM-120	421	249	171	1	2.59	3.16
LP-MELLOWBEAM-150	421	249	171	1	2.59	3.16
LP-MELLOWBEAM-200	598	249	171	1	3.15	3.86