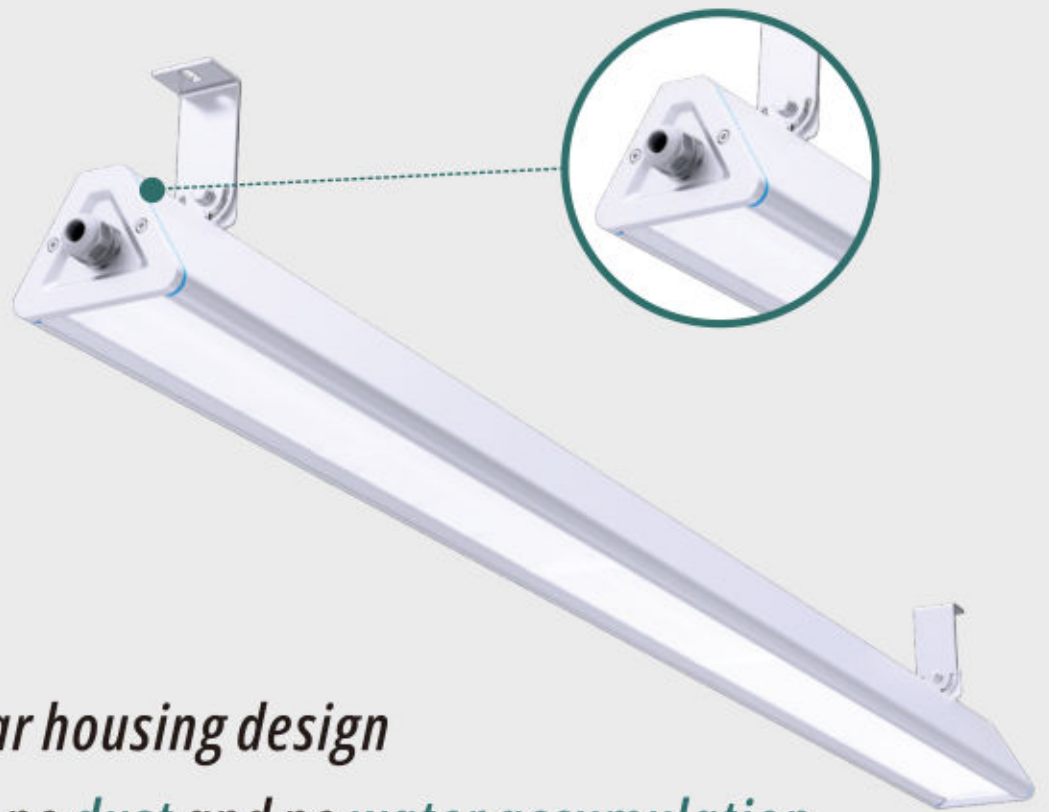




Hemera
Series

Linear
Highbay
Light



Unique triangular housing design

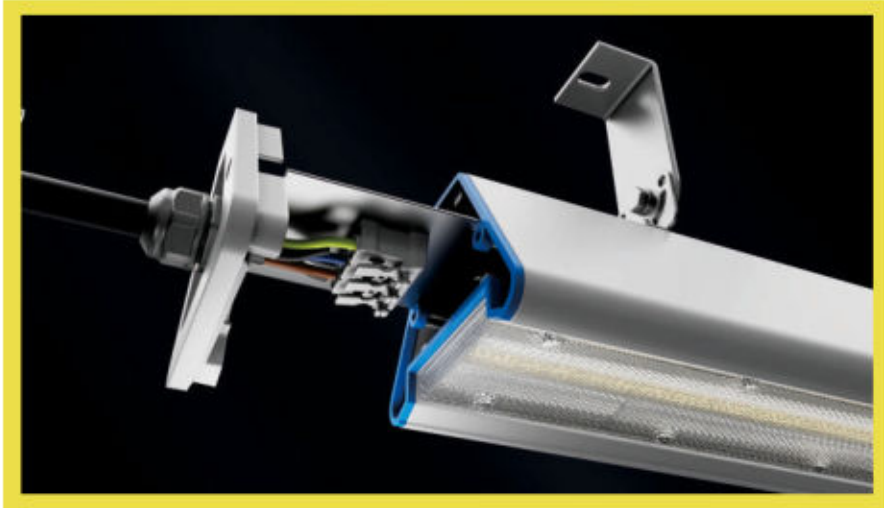
Smooth surface, no dust and no water accumulation

Aesthetics of Lighting

Our strip mining lamp adopts a special lens and PCB design to achieve the unique linear luminous effect. This not only increases the aesthetics of lighting, enhances the effect of light distribution, but also reduces glare.



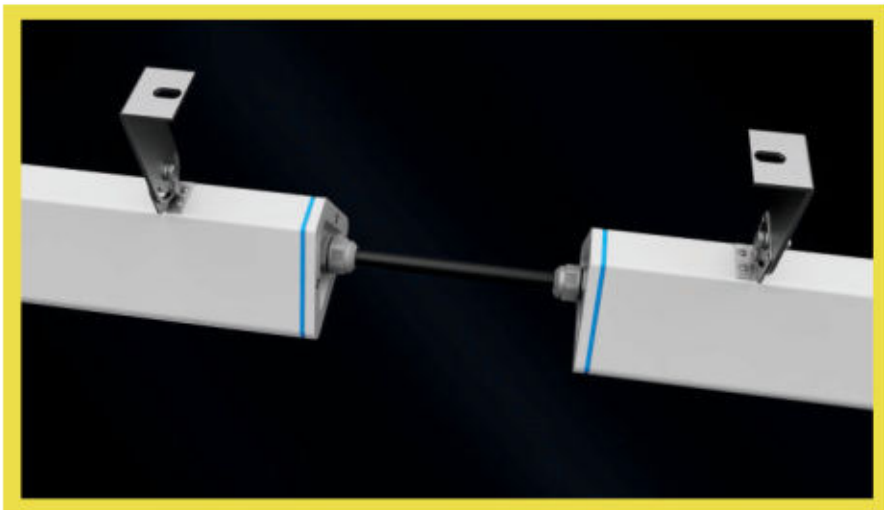
Easy wiring & Lower installation cost



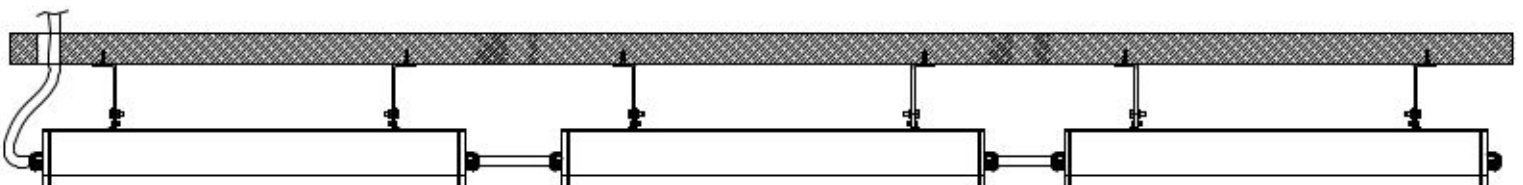
With terminal inside which is available to rewire easily



Wire through inside



Linkable in series



Light Efficiency

160_{LM/W}



Pure Aluminum

Better thermal conductivity

IP66 WATERPROOF

Choosing IP66-rated waterproof light fixtures not only provides you with a reliable lighting solution but also safeguards your investment. They reduce maintenance and replacement costs caused by moisture or damage, there by extending their lifespan.

Installation method



◀◀◀◀ ① Hanging installation

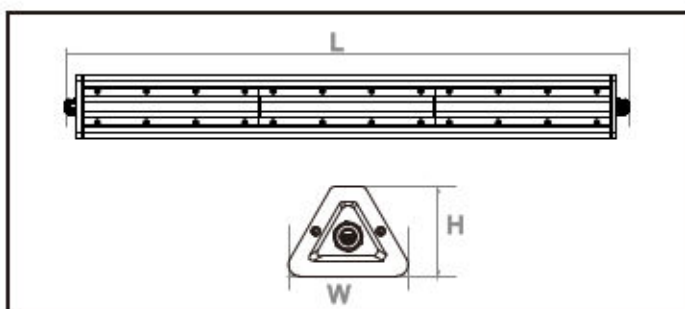


② Bracket installation ▶▶▶▶

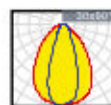


Features

Housing: Pure Aluminum A6063
 Thermal Conductivity: 226 W/m·K
 Led: Philips
 CRI: Ra>80
 SDCM: <6
 Power Factor: >0.95
 THD: <15
 Driver: Sosen
 Driver Efficiency: >92%
 Protection: OTP, OCP, OVP, SCP
 Surge Protection: 4KV
 Waterproof: IP66
 Impact Test: IK08
 Electrical: 100~277V, 50/60Hz
 Operating Temperature: -25~45°C
 TM21: L90B10>50,000H
 Lifetime: 50,000H

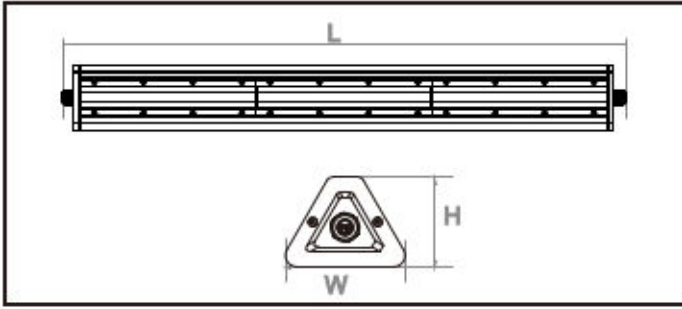


Optical options:



Watt	Voltage	Lumen	CRI	IP	Dimension
100W	100~277V	16000LM	>80	IP66	592*105.4*79mm
150W	100~277V	24000LM	>80	IP66	892*105.4*79mm
200W	100~277V	32000LM	>80	IP66	1192*105.4*79mm
240W	100~277V	38400LM	>80	IP66	1492*105.4*79mm

Packing



L*W*H (MM)	Inner Carton(mm)			QTY/ INNER CTN	Outer Carton(mm)			QTY/ Outer CTN	NW/CTW	GW/CTW
592*105.4*79	/	/	/	/	660	170	130	1	2.40	2.80
892*105.4*79	/	/	/	/	960	170	130	1	2.90	3.40
1192*105.4*79	/	/	/	/	1260	170	130	1	3.90	4.50
1492*105.4*79	/	/	/	/	1560	170	130	1	4.40	5.30