

Industrial

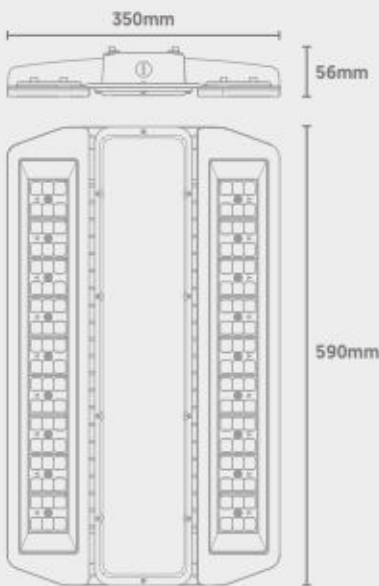
 IP65 Ingress Protection

 IK10 Impact Resistance

 Wattage Switchable

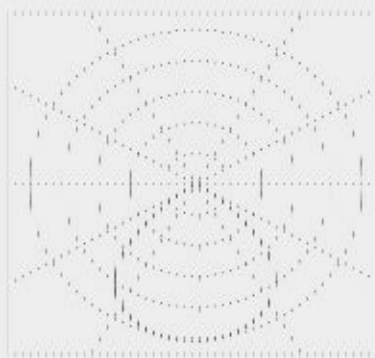
 1-10V Dimmable (as Standard)

Dimensions



 Light Source Energy Rating

Photometric Data



Baylite Pro

Low Bay

PIR Sensor Info
on Following Page



3HR
EMERGENCY
DURATION

7
YEARS
WARRANTY
+ 2 YEAR ON SITE

Wattage switchable from 0 to 200W via dial on back of fitting.

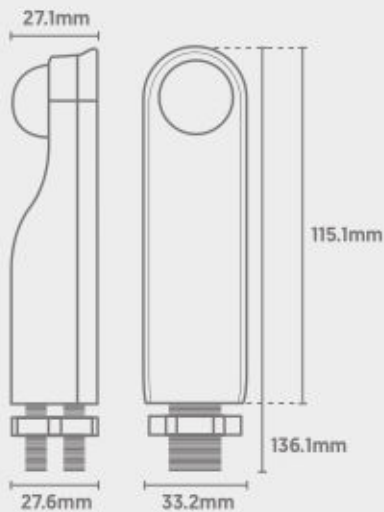
| Power (Selectable) | Efficacy | Output | Kelvin |
|---------------------|----------|---------------------------|--------|
| 50W [Emergency 5W] | 140Lm/cW | 7000Lm [Emergency 700Lm] | 4000K |
| 75W [Emergency 5W] | 140Lm/cW | 10500Lm [Emergency 700Lm] | |
| 100W [Emergency 5W] | 140Lm/cW | 14000Lm [Emergency 700Lm] | |
| 125W [Emergency 5W] | 140Lm/cW | 17500Lm [Emergency 700Lm] | |
| 150W [Emergency 5W] | 140Lm/cW | 21000Lm [Emergency 700Lm] | |
| 175W [Emergency 5W] | 140Lm/cW | 24500Lm [Emergency 700Lm] | |
| 200W [Emergency 5W] | 140Lm/cW | 28000Lm [Emergency 700Lm] | |

Technical

| | |
|------------------------|--|
| Input Voltage | AC 100-240V |
| Colour Rendering Index | >80 |
| Beam Angle | 90° |
| Power Factor | 0.97 |
| Operating Temp. | -20 to +45°C |
| Materials | Aluminium & Tempered Glass |
| IP Rating | IP65 |
| IK Rating | IK10 |
| Dimmable | 1-10V [as Standard] |
| Dimensions | 590mm x 350mm x 56mm |
| Weight | 7.81kg |
| MacAdam Step | <3 |
| Emergency Output | 3 Hours [5W] |
| Lifetime | 50,000 hours, L90-B10 (Ta 25 °C) |
| CE Standards | EN60598-1, EN62493, EN55015, EN61547, EN61000-3-2, EN61000-3-3, EN62722-1, EN62722-2-1 and EN50581 |
| CE Directives | LVD, EMC, ERP & RoHS |

-  Day & Night Operation
-  10m Detection Distance
-  360° Detection Range
-  Up to 6m Install Height
(2m to 5m is recommended for optimal performance)

Dimensions



Baylite Pro

PIR Sensor

PIR Specifications

| | |
|--------------------------|--------------------------------------|
| Daylight Sensor | <3Lx to 2000Lx [Adjustable] |
| Hold Time | Min: 10s±3s; Max: 30min±2min |
| Stand-By Period | 5min, 10min, 15min, 30min, 60min, +∞ |
| Detection Range | 50% / 75% / 100% [360°] |
| Detection Distance | Up to 10m [24°C] |
| Detection Moving Speed | 0.5-1.5m/s |
| Automatic Lighting Range | 10Lx to 300Lx |
| Stand-By Dimming Level | OFF / 10% / 20% / 30% |



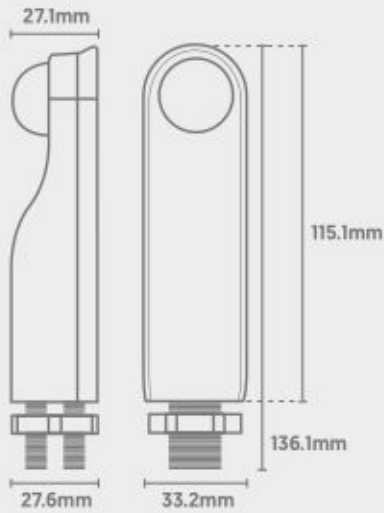
Technical

| | |
|-----------------------|-------------------------|
| Power Source | AC 220-240V |
| Power Frequency | 50/60 Hz |
| Maximum Switching | 6A |
| Rated Load | Between 500W and 1200W |
| Power Consumption | Approximately 0.5W |
| Cable Specification | 18AWG-1007 |
| Operating Temperature | -20 to +40°C |
| Operating Humidity | <93% RH |
| Installation Height | 2m to 6m |
| Material | Polycarbonate |
| IP Rating | IP65 After Installation |

Industrial

-  Day & Night Operation
-  10m Detection Distance
-  360° Detection Range
-  Up to 6m Install Height
(2m to 6m is recommended for optimal performance)

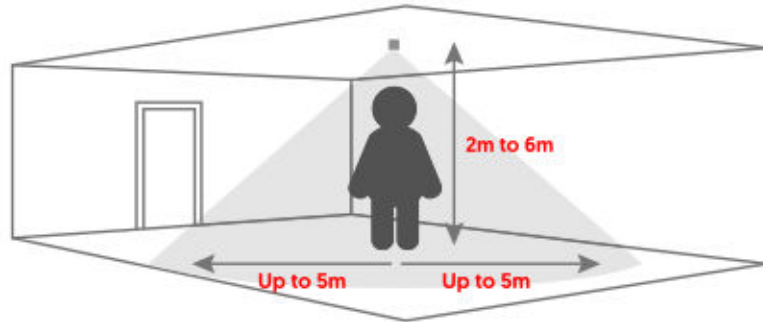
Dimensions



Baylite Pro

PIR Sensor

Detection Diagram



Wiring Diagram

