

# Industrial

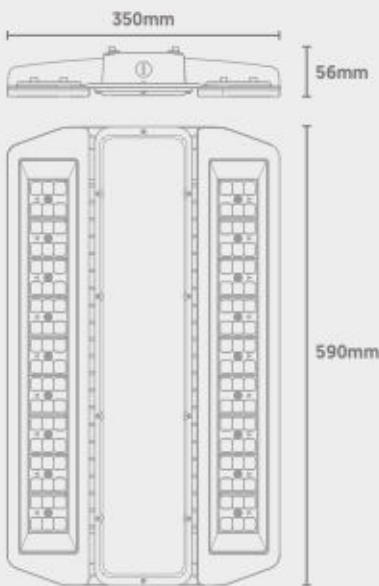
 IP65 Ingress Protection

 IK10 Impact Resistance

 Wattage Switchable

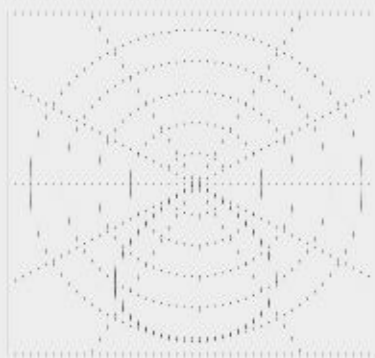
 1-10V Dimmable (as Standard)

## Dimensions



 Light Source Energy Rating

## Photometric Data



# Baylite Pro

## Low Bay



PIR Sensor Info  
on Following Page

**7**  
YEARS  
WARRANTY  
+ 2 YEAR ON SITE\*

Wattage switchable from 0 to 200W via dial on back of fitting.

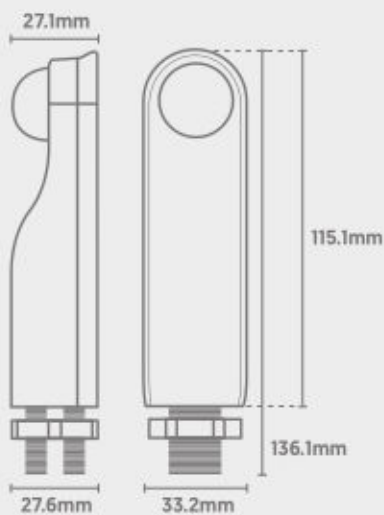
Power (Selectable)	Efficacy	Output	Kelvin
50W	140Lm/cW	7000Lm	4000K
75W	140Lm/cW	10500Lm	
100W	140Lm/cW	14000Lm	
125W	140Lm/cW	17500Lm	
150W	140Lm/cW	21000Lm	
175W	140Lm/cW	24500Lm	
200W	140Lm/cW	28000Lm	

## Technical

Input Voltage	AC 100-240V
Colour Rendering Index	>80
Beam Angle	90°
Power Factor	0.97
Operating Temp.	-20 to +45°C
Materials	Aluminium & Tempered Glass
IP Rating	IP65
IK Rating	IK10
Dimmable	1-10V [as Standard]
Dimensions	590mm x 350mm x 56mm
Weight	7.5kg
MacAdam Step	<3
Lifetime	50,000 hours, L90-B10 (Ta 25 °C)
CE Standards	EN60598-1, EN62493, EN55015, EN61547, EN61000-3-2, EN61000-3-3, EN62722-1, EN62722-2-1 and EN50581
CE Directives	LVD, EMC, ERP & RoHS

-  Day & Night Operation
-  10m Detection Distance
-  360° Detection Range
-  Up to 6m Install Height  
(2m to 5m is recommended for optimal performance)

## Dimensions



# Baylite Pro

## PIR Sensor

### PIR Specifications

Daylight Sensor	<3Lx to 2000Lx [Adjustable]
Hold Time	Min: 10s±3s; Max: 30min±2min
Stand-By Period	5min, 10min, 15min, 30min, 60min, +∞
Detection Range	50% / 75% / 100% [360°]
Detection Distance	Up to 10m [24°C]
Detection Moving Speed	0.5-1.5m/s
Automatic Lighting Range	10Lx to 300Lx
Stand-By Dimming Level	OFF / 10% / 20% / 30%



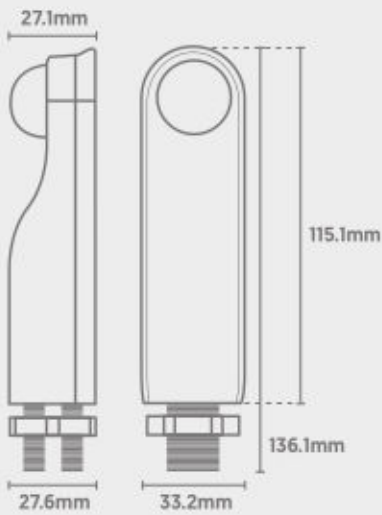
### Technical

Power Source	AC 220-240V
Power Frequency	50/60 Hz
Maximum Switching	6A
Rated Load	Between 500W and 1200W
Power Consumption	Approximately 0.5W
Cable Specification	18AWG-1007
Operating Temperature	-20 to +40°C
Operating Humidity	<93% RH
Installation Height	2m to 6m
Material	Polycarbonate
IP Rating	IP65 After Installation

# Industrial

-  Day & Night Operation
-  10m Detection Distance
-  360° Detection Range
-  Up to 6m Install Height  
(2m to 5m is recommended for optimal performance)

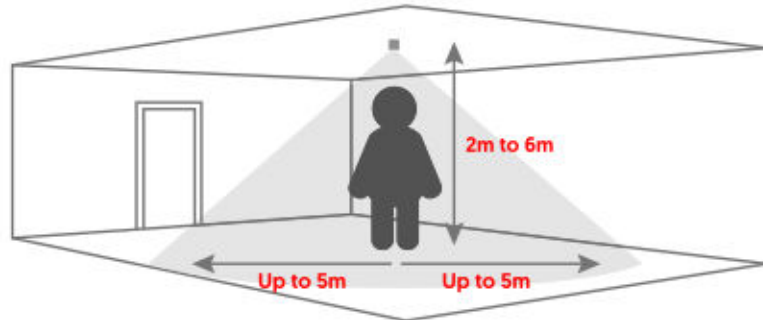
## Dimensions



# Baylite Pro

## PIR Sensor

### Detection Diagram



### Wiring Diagram

