



# LED LOW BAY LIGHT

## GLACIER

### Key Features

- ✓ IP20
- ✓ CRI > 80(90)
- ✓ DALI 2.0
- ✓ 0~10 V Dimming
- ✓ UGR <19
- ✓ Optional Full Spectrum
- ✓ Color Temperature Selectable
- ✓ Power Selectable

## ▼ SPECIFICATION SHEET

### ▶ OPTICAL SPECS

|                |  |
|----------------|--|
| Lumen Efficacy | 140 Lm/W                                 |
| CCT            | 3000K or 4000K, (Dial Switch Selectable) |
| CRI            | >80                                      |

### ▶ ELECTRICAL SPECS

|                           |  |
|---------------------------|--|
| Power                     | 25-40-60-80 Watts (Dial Switch Selectable) |
| Input Voltage             | AC 120~277 Volts                           |
| Power Frequency           | 50/60 Hz                                   |
| Power Factor              | >0.95                                      |
| Total Harmonic Distortion | <10%                                       |
| Insulation Grade          | Class I                                    |

### ▶ OTHER DETAILS

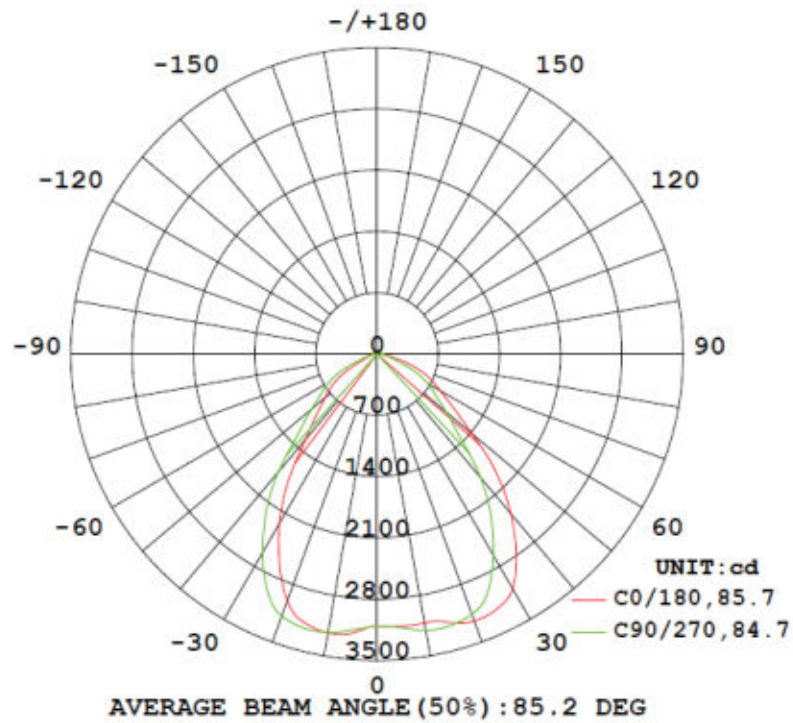
|                       |               |
|-----------------------|---------------|
| Lifespan              | ≥50,000 Hours |
| Operating Temperature | -30°C~50°C    |
| LED Driver Spec       | Lifud         |
| LED Spec              | SMD 2835      |
| Dimming               | DALI, 0~10V   |

### ▶ MECHANICAL SPECS

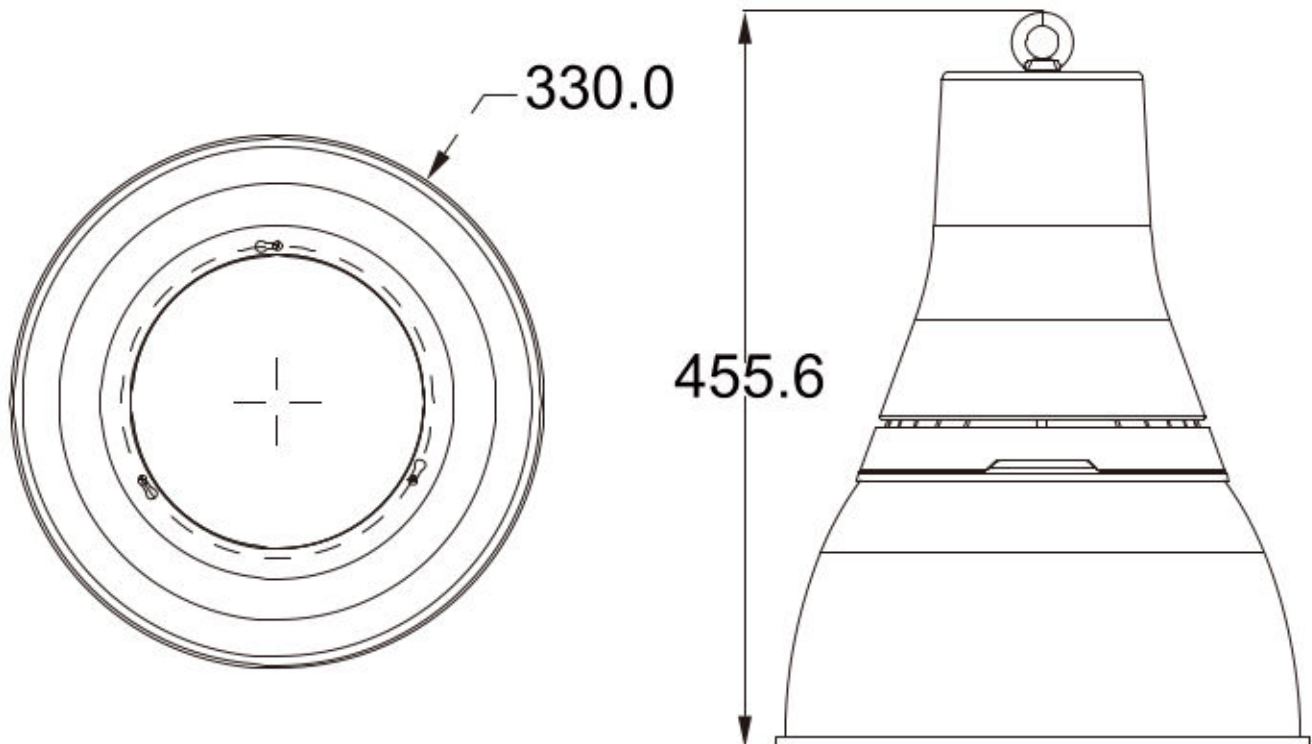
|                    |                 |
|--------------------|-----------------|
| Color              | RAL7036,RAL7039 |
| Lens               | Acrylic         |
| Reflector          | PC              |
| Ingress Protection | IP20            |
| Material           | ADC 12          |

---

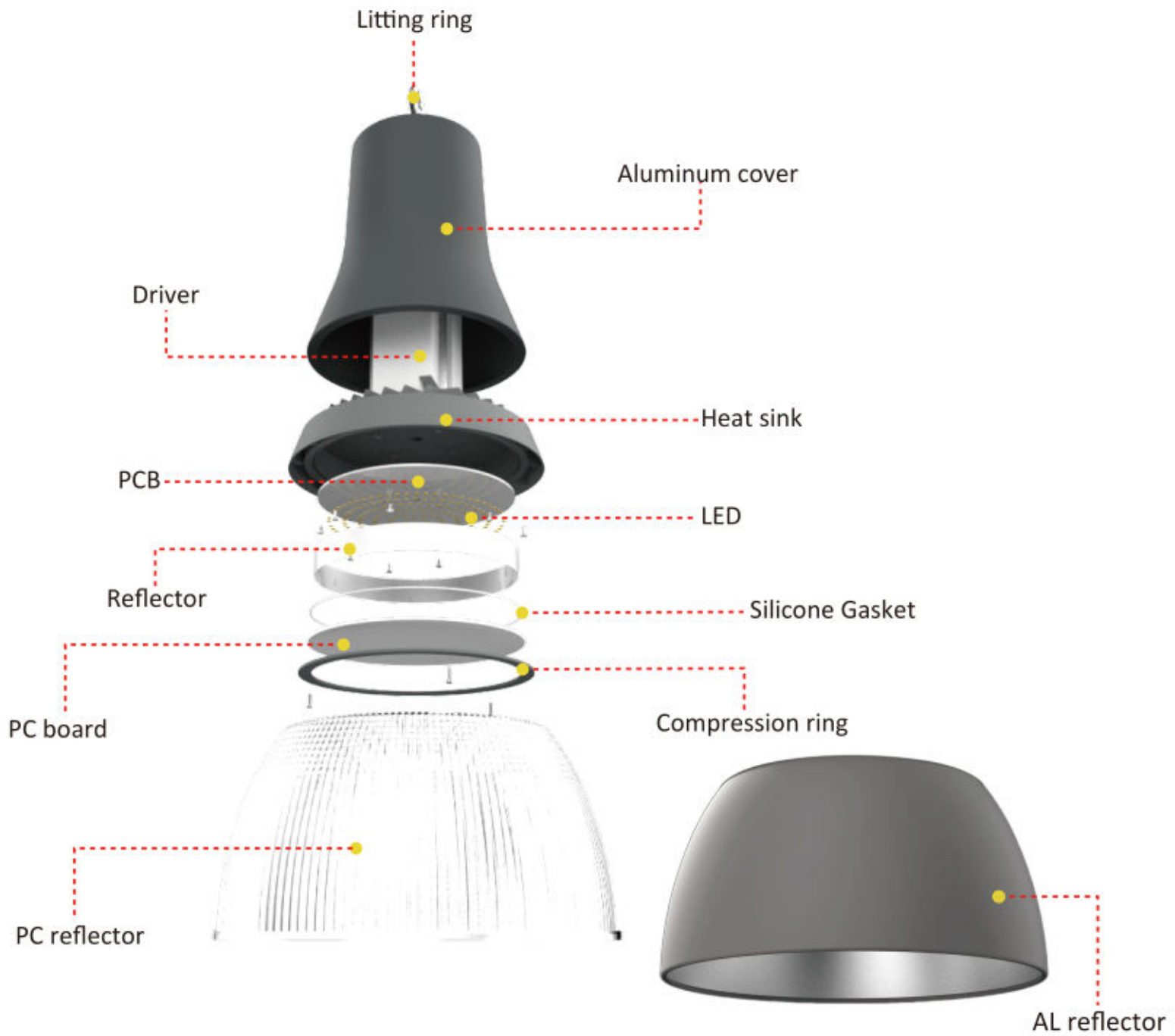
## ▼ LIGHT DISTRIBUTION CURVE



## ▼ DIMENSIONS(MM)



## ▼ DETAILS



(Two options)

- CCT & Power Selectable
- Polycarbonate or aluminium reflector is available
- Decorative modern pendant suitable for commercial and retail applications