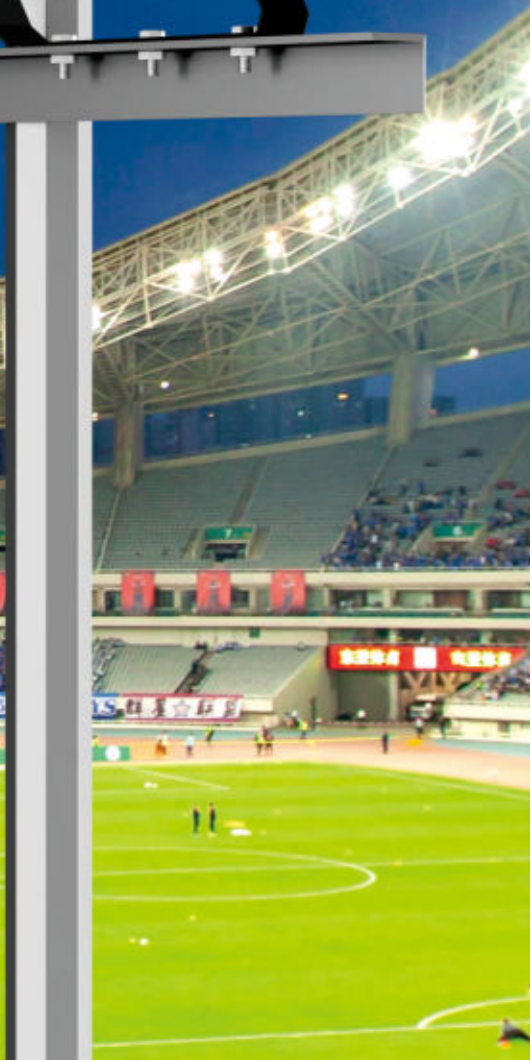
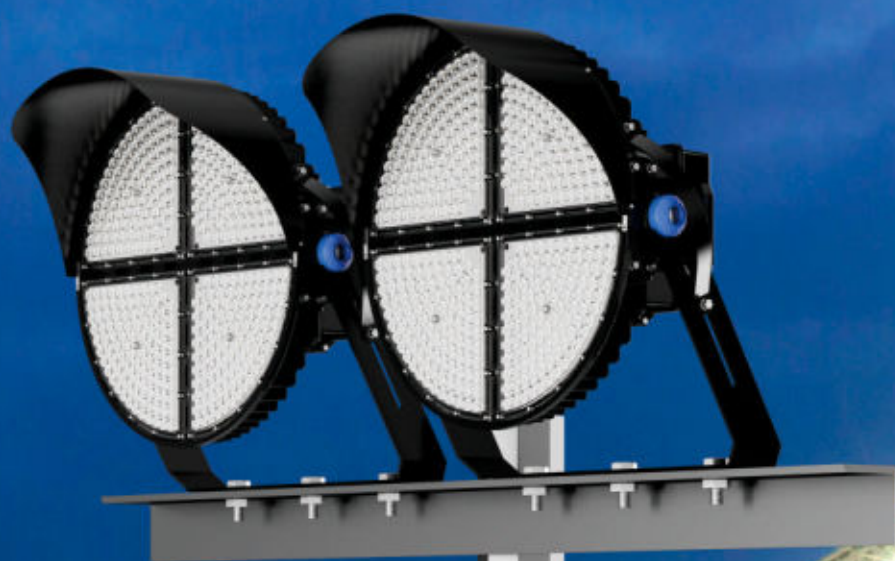
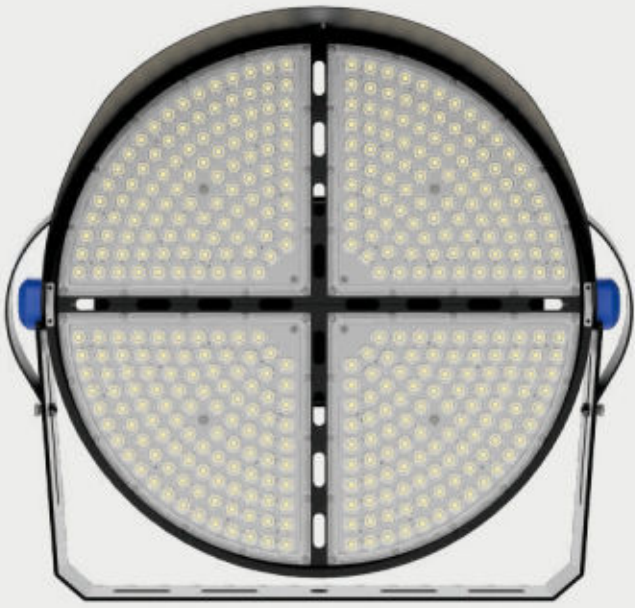


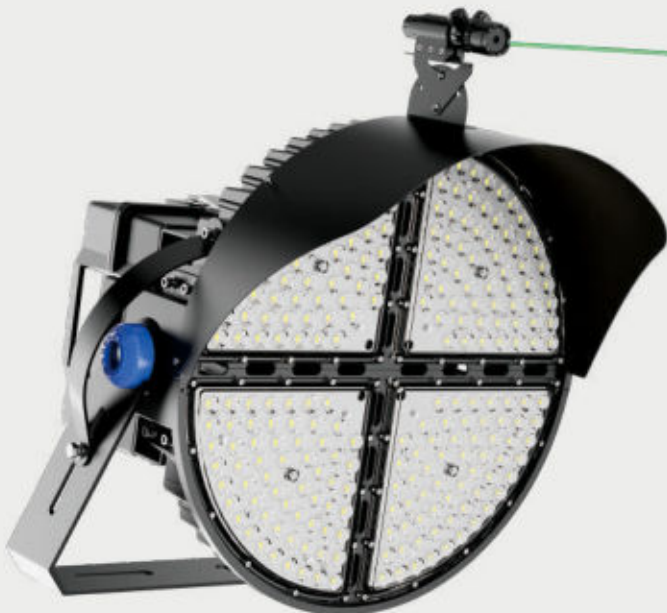
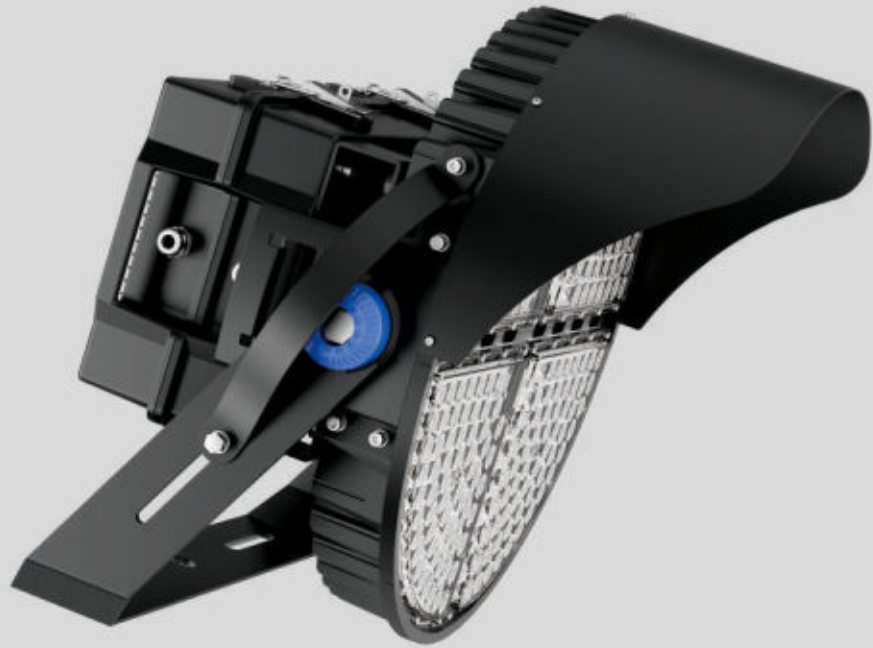
LED High Mast Light Diadem Series





Visor

Precise Angle Rotation



Laser Sight



**IP66 Waterproof
10/20kv Surge Protection**



HD TV Broadcasting

The LED source has a high TLCI index and a chromatic render index up to 90. This provides the camera with the real color of the scene and flicker-free shooting.

Driver External

Driver box can be fixed on bracket or on pole in order to lower the weight of whole fixture and easy maintenance.





RoHS
compliant

LM 79

LM 80

TM 21

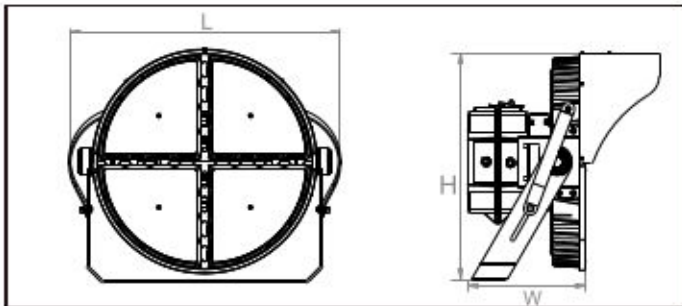
Highmast Light

Series



Features

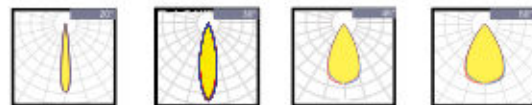
Housing: Pure Aluminum
 Thermal Conductivity: 96W/m·K
 Led: Cree 5050
 CRI: Ra>70
 SDCM: <6
 Power Factor: >0.95
 THD: <15
 Driver: Sosen
 Driver Efficiency: >97%
 Protection: OTP, OCP, OVP, SCP
 Surge Protection: 6KV
 Waterproof: IP66
 Impact Test: IK08
 Electrical: 180-305V, 50/60Hz
 Operating Temperature: -40~60 °C
 Tm21: L90B10>50,000H
 Lifetime: 50,000H



Functions

ZigBee · DMX · DALI · 0/1~10V

Optical options:



180-190 LM/W

5 YEARS WARRANTY

Sosen Driver

Cree LED

Watt	Voltage	Efficiency	Lumen	CRI	IP	Dimension
500W	180~305V	190LM/W	95000LM	>70	IP66	592*509*263
600W	180~305V	180LM/W	108000LM	>70	IP66	592*509*263
800W	180~305V	190LM/W	152000LM	>70	IP66	697*649*263
1000W	180~305V	180LM/W	180000LM	>70	IP66	697*649*263
1500W	180~305V	180LM/W	180000LM	>70	IP66	831*772*571