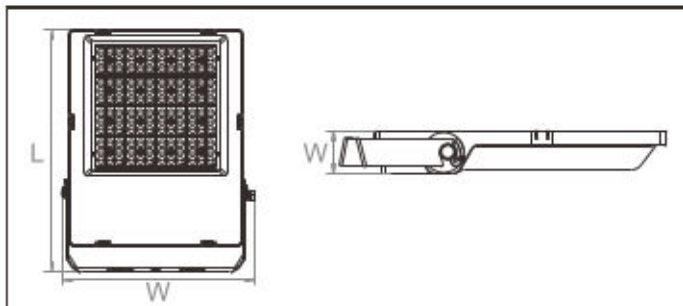




## Features

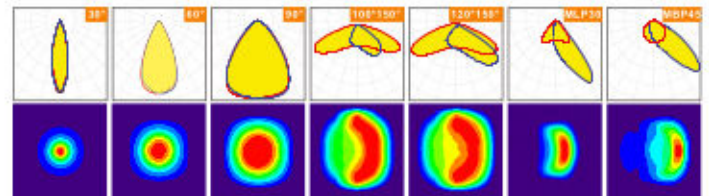
- Housing: Die Cast Aluminum
- Thermal Conductivity: 96 W/m·K
- Led: Cree 3030
- CRI: Ra>70
- SDCM: <6
- Power Factor: >0.95
- THD: <15
- Driver: Meanwell
- Driver Efficiency: >93%
- Protection: OTP, OCP, OVP, SCP
- Surge Protection: 6KV
- Waterproof: IP66
- Impact Test: IK08&IK10
- Electrical: 100-277V, 50/60Hz
- Operating Temperature: -40~50°C
- TM21: L90B10>50,000H
- Lifetime: 50,000H



## Functions

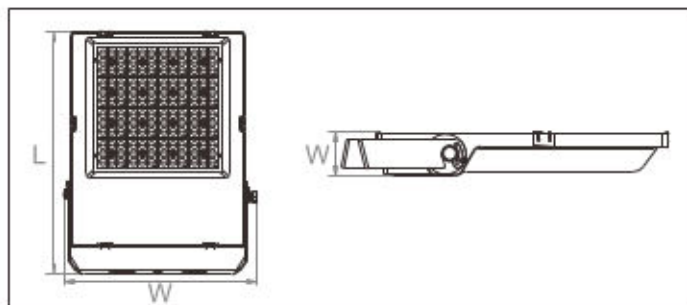
ZigBee · DMX · DALI · 0/1~10V

## Optical options:



Watt	Voltage	Lumen	CRI	IP	Dimension
100W	100~277V	16000LM	>70	IP66	288*254*57
150W	100~277V	25500LM	>70	IP66	332*279*57
200W	100~277V	34000LM	>70	IP66	403*333*57
240W	100~277V	40800LM	>70	IP66	403*333*57
300W	100~277V	54000LM	>70	IP66	490*418*74
400W	100~277V	68000LM	>70	IP66	490*418*74

## Packing



## Luminaire

L	Outer Carton(mm)		QTY / Outer CTN	Luminaire	
	W	H		NW(kg)	GW(kg)
370	275	105	1	2.50	2.90
415	330	120	1	3.30	3.80
485	385	140	1	5.20	5.80
485	385	140	1	5.45	6.10
586	473	165	1	9.60	10.20
586	473	165	1	9.60	10.20

Easy installation



IP66



IK10





CB  CE RoHS  
compliant