

Explosion Proof Light

We are committed to delivering high-quality industrial lighting fixtures designed, tested and certified for use in hazardous locations and adverse environment conditions.

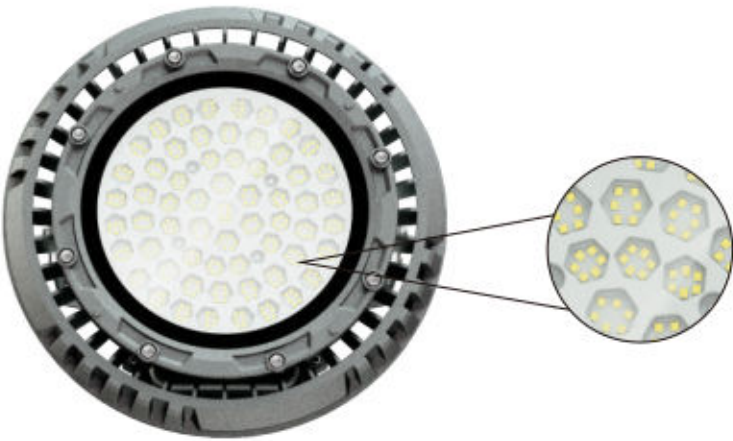
Our explosion proof light can be used even under the harshest indoor and outdoor conditions. If safety, labor reduction, quality and reliability are your priorities, this product will be your best option.



> MEGA <

Light Efficiency

180 LM/W



—
Stable luminous
High-quality led chip



II 2G Ex db mb IIB T4 Gb
II 2D Ex tb IIIC T(95°C) Db





IP66 Waterproof
6KV/10KV Surge Protection
AkzoNobel Coating
Best Corrosion Proof

Precise Angle Rotation
Free Rotation 180 Degrees



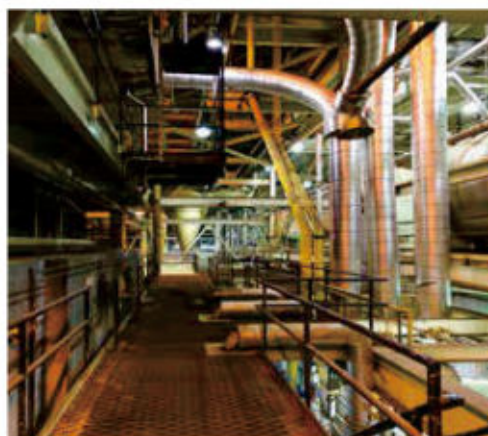
Application

Zone 1 Zone 2
Zone 21 Zone 22

Applied to oil fields, oil refineries, offshore oil platform, power plants, gas stations, oil tanks, wharf, tunnel, pumping station, substation, the military base, etc. Zone I and Zone II Hazardous Locations, Zone 20, Zone 21, Zone 22 and II A, IIB, IIC explosive gas atmosphere.



Chemical industry
Oil and natural gas extraction
Petrol station
Offshore
Marine sector



Tank vehicle
Shipyard
Power plant
Refinery
Rescue service
Aviation



Sugar refinery
Grain and feed industry
Fertiliser industry
Flour milling
Pharmaceutical industry
Waste treatment plant
Timber industry

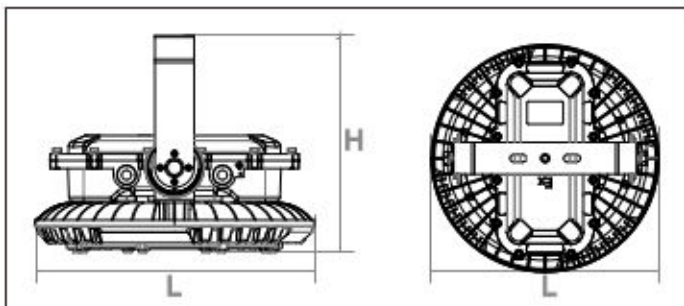




II 2G Ex db mb IIB T4 Gb
II 2D Ex tb IIIC T1 (95°C) Db

Features

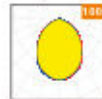
Housing: Pure Aluminum
 Thermal Conductivity: 226 W/m·K
 Led: Cree 3030
 CRI: Ra>80
 SDCM: <6
 Power Factor: >0.95
 THD: <15
 Driver: Meanwell
 Driver Efficiency: >93%
 Protection: OTP, OCP, OVP, SCP
 Surge Protection: 6KV
 Waterproof: IP66
 Impact Test: IK08
 Electrical: 85-305V, 50/60Hz
 Operating Temperature: -40~60°C
 TM21: L90B10>50,000H
 Lifetime: 50,000H



Functions

ZigBee · DMX · DALI · 0/1~10V

Optical options:



160-180lm/w

5 YEARS WARRANTY

Meanwell Driver

Cree LED

Watt	Voltage	Lumen	CRI	IP	Dimension
60W	85~305V	10800LM	>80	IP66	φ 356*H275mm
80W	85~305V	14400LM	>80	IP66	φ 356*H275mm
100W	85~305V	17000LM	>80	IP66	φ 356*H275mm
120W	85~305V	20400LM	>80	IP66	φ 356*H275mm
150W	85~305V	24000LM	>80	IP66	φ 356*H275mm
200W	85~305V	32000LM	>80	IP66	φ 356*H275mm

